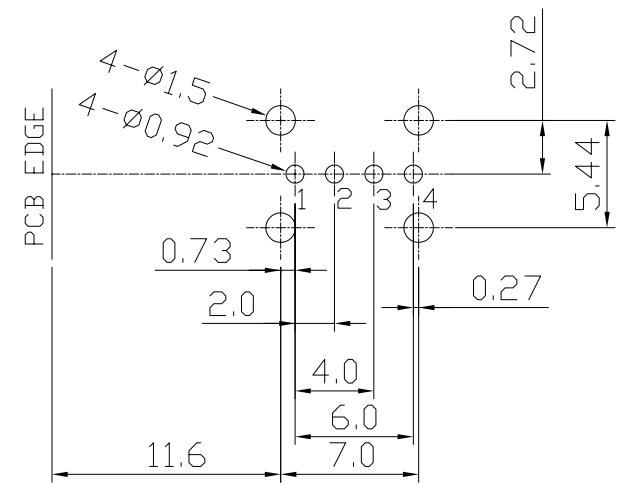
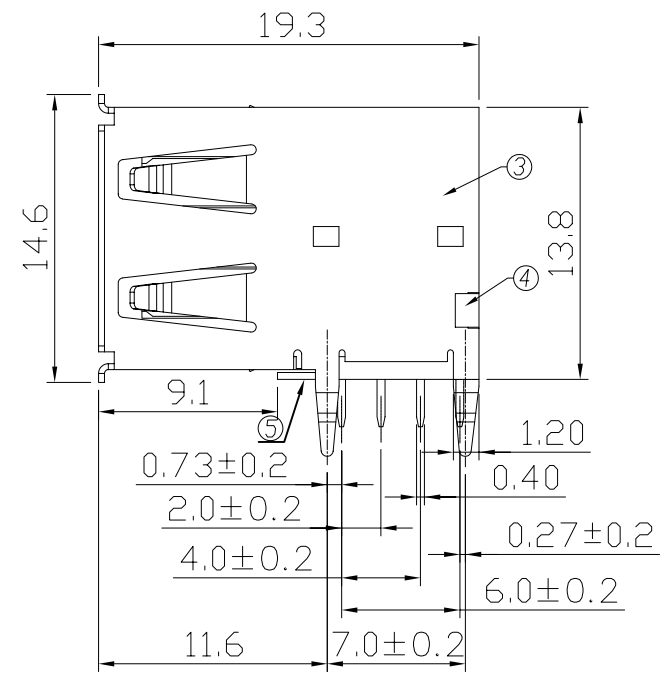
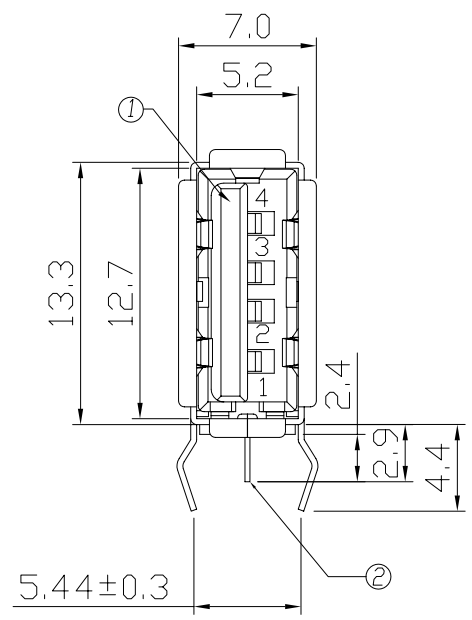


RoHS COMPLIANT

REV	ECN NO.	DESCRIPTION	DATE
E		REDRAW	OCT. 25' 11
F		ADD. 30u" PLATED	MAR. 10' 15



PCB LAYOUT
(BOTTOM VIEW)

NO.	NAME	MATERIAL	FINISH	Q'TY	REMARK
1	HOUSING	PBT G.F.	K=BLACK W=WHITE	1	
2	TERMINAL	PHOS. BRONZE T:0.25	GOLD/TIN PLATED	4	Gold:1u" ~ 30u" ; NI:40~60u" ; TIN:120u" (100% pure Tin of lead free plating)
3	SHELL	BRASS T:0.3	NICKEL PLATED	1	
4	REAR SHELL	SPCC T:0.3	NICKEL PLATED	1	
5	BOTTOM COVER	PBT G.F.		1	

Specification:

Contact Resistance: 30m Ohm Max.
 Insulation Resistance: 1000M Ohm Min. At 500VDC.
 Rated Voltage And Current: 1.5A At 250VAC Minimum.
 Dielectric Withstanding Voltage:750V AC (rms) for 1 Minute(Rev. 1.1)
 500V AC (rms) for 1 Minute(Rev. 2.0)

Durability (Life Test): 1500 Cycles
 Insertion Force: 35 Newton Maximum.
 Extraction Force: 10 Newton Minimum.

TOLERANCE UNLESS OTHERWISE SPECIFIED		PROJECTION	GOLD-TEK ELECTRIC CO., LTD.	
LINEAR		UNITS	TITLE	
ANGLE			PART NO.	
X. ±	X° ±	MM	USB A FEMALE R/A PERPENDICULAR DIP	
.X ± 0.35	.X° ±		CAD NO. I0454A	
.XX ± 0.25	.XX° ±		SHEET	
.XXX±	.XXX° ±	SCALE	F:\Drw\USB\USB-0003	
APPD		SIZE	1 OF 1	
CHKD		A4	圖面編號:GTKSD0740-F(1)	
DRAW	Z.	MAR. 10' 2015		