

MODEL NO : OBO-1206C-A2

Features : Conformity RoHS Directive (2002/95/EC) Requests.
Wave Solder and Wash Allowed

1.General Specifications :

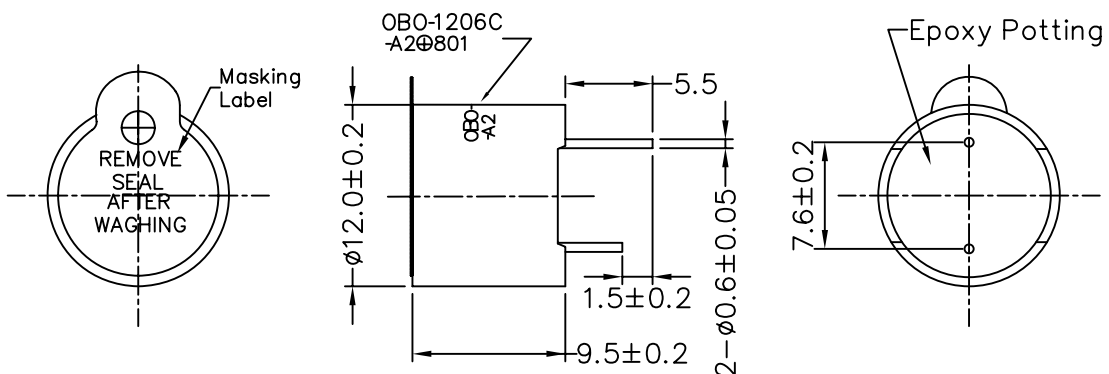
Items	Specification
※ Sound Pressure Level	85 dB min./10cm/DC 6.0V
Rated Voltage	DC 6.0V
※ Resonant Frequency	2300 ± 300 Hz
※ Rated Current	30 mA max./DC 6.0V
Operating Voltage	DC 3 to 8V
Housing Material	NORYL
Pin Material	Red Copper
Operating Temp. Range	-20°C to +70°C
Storage Temp Range	-30°C to +80°C
Weight	2.0 gms

2.Mechanical Layout and Dimensions :

※ Value applying rated voltage.(DC)

2.1 Shape & Dimensions

Unit: mm Tolerance: ±0.5





SPECIFICATIONS

MODEL NO.
OBO-1206C-A2

PART NAME
Magnetic Transducer

SHEET
3 OF 4

2.2 Meaning of Stamp Mark

801 : Production Period

8 : Year 2008 (last 1 figures of the year)

01 : Week (01~55)

3. Soldering Condition : *2

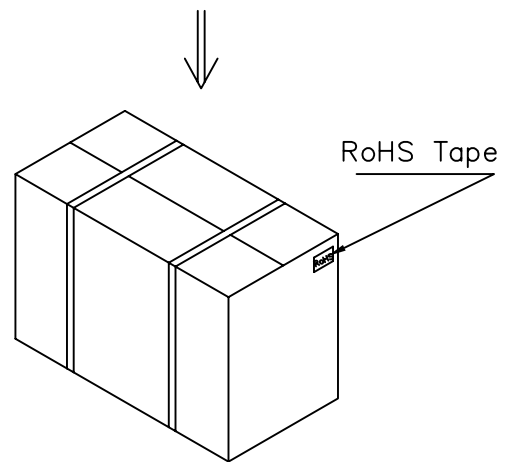
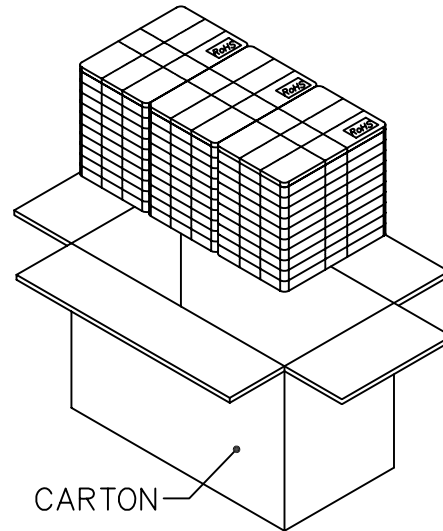
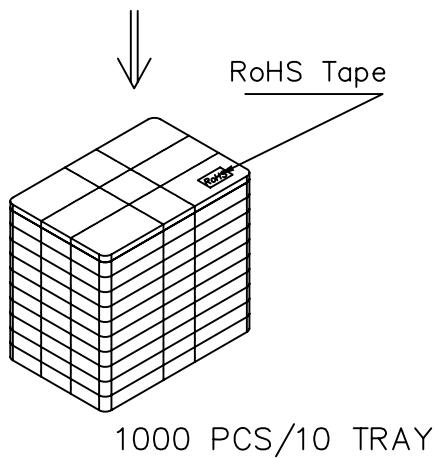
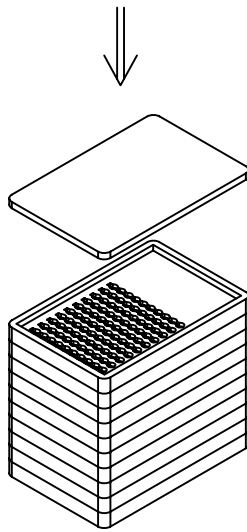
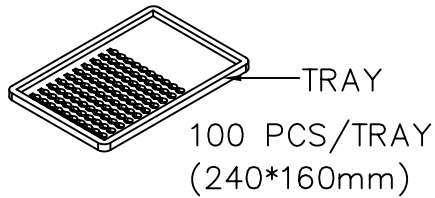
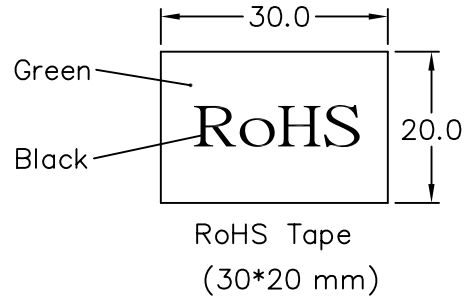
3.1 Wave Soldering

Peak temperature	Dipping time	Soldering
+ 260°C	5 seconds	1 time

3.2 Hand Soldering

Iron Tip Temperature	Soldering time
+ 380°C Max.	Duration 3 seconds Max.

4.Packing Information:



3000 PCS/CARTON
(505*260*280mm)