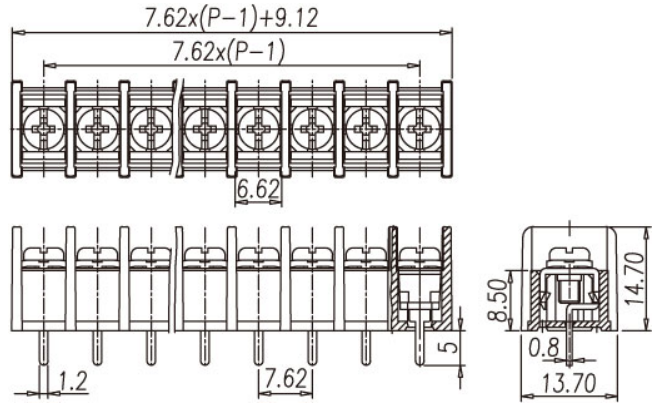


Barrier Style Terminal Blocks / DT-25



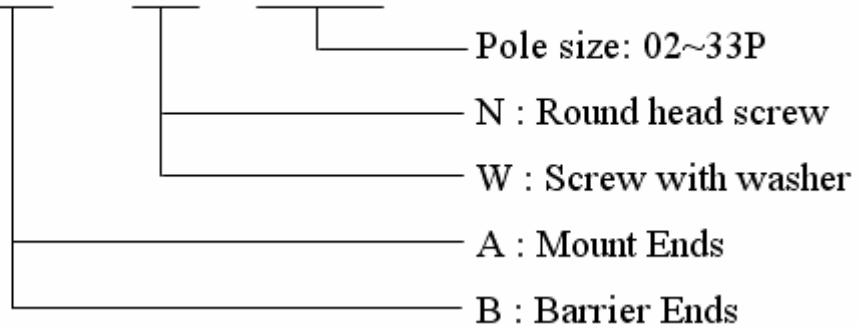
DT-25-B01X-XX



Pitch: 7.62mm

ORDER GUIDE

DT - 25 - 01 -



Approval		FW2
Materials		
Rated voltage	300V	
Rated current	15A	
Plastic Housing	PA6.6, UL94V-0, Black	
Terminal	Brass, Tin plated	
Screw	Steel, M3, Nickel plated	



Specifications

Working Temperature	-40°C ~ +105°C
Insulation withstand Voltage	AC2000V at 1 minute
Insulation Resistance	500MΩ or more at DC500V
Wire range	22 ~ 14 AWG
Rated Torque Value	13.8 Kg - cm