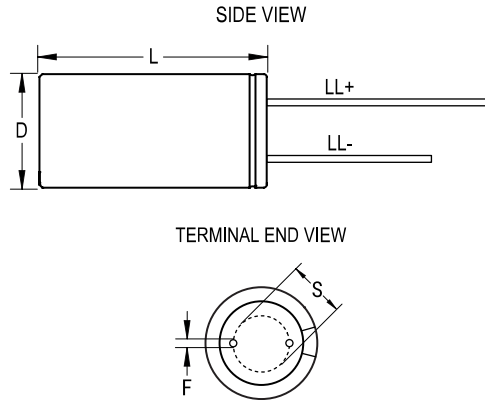


ESK, Aluminum Electrolytic, 100 uF, 20%, 50 VDC, -40/+85°C, Lead Spacing = 3.5mm



Dimensions

| | |
|--------------------|----------------|
| D | 8mm +/-0.5mm |
| L | 11mm +1.5/-0mm |
| S | 3.5mm +/-0.5mm |
| LL Negative | 15mm MIN |
| LL Positive | 20mm MIN |
| F | 0.6mm NOM |

Packaging Specifications

| | |
|----------------------------|-----------|
| Packaging: | Bulk, Bag |
| Packaging Quantity: | 6000 |

General Information

| | |
|---------------------|-------------------------------------|
| Supplier: | KEMET |
| Series: | ESK |
| Dielectric: | Aluminum Electrolytic |
| Description: | Single Ended, Aluminum Electrolytic |
| RoHS: | Yes |
| Lead: | Wire Leads |
| AEC-Q200: | No |

Specifications

| | |
|---------------------------------|------------------------|
| Capacitance: | 100 uF |
| Capacitance Tolerance: | 20% |
| Voltage DC: | 50 VDC, 63 VDC (Surge) |
| Temperature Range: | -40/+85°C |
| Rated Temperature: | 85°C |
| Life: | 2000 Hrs |
| Dissipation Factor: | 10.00% 120Hz 20c |
| Ripple Current: | 230 mAmps (120Hz 85C) |
| Leakage Current: | 50 uA (2min 20°C) |
| Impedance Ratio at -25C: | 3 |
| Impedance Ratio at -40C: | 3 |