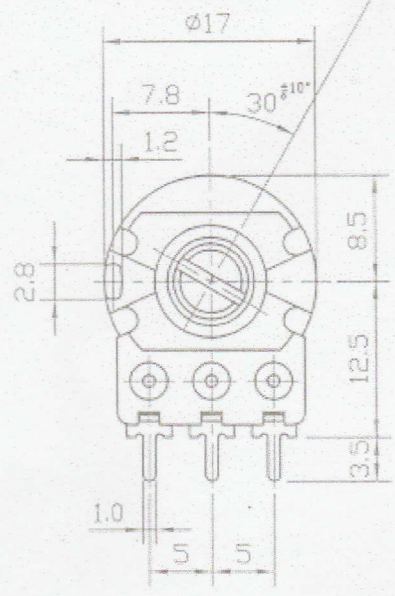
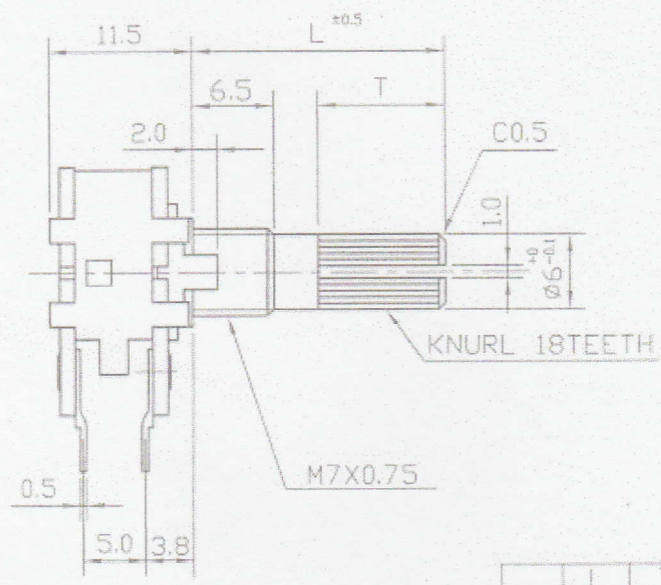


SLH-204-11

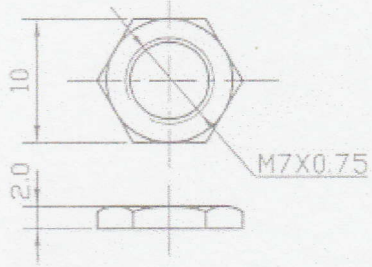
THIRD ANGLE PROJECTION

SHAFT SHOWN IN FULL C.C.W. POSITION

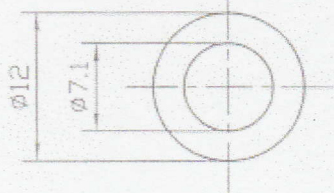


	L	T
	15	6.5
✓	17	8.5
	20	11.5

NUT 1 PC

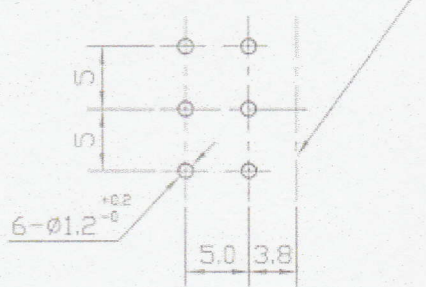


WASHER 1 PC t=0.4



台灣電子工業股份有限公司  
文管中心  
94.12.22  
發行

MOUNTING SURFACE



MOUNTING HOLE DETAIL

NOTE:  
SHAFT AND BUSHING MATERIAL IS ZINC ALLOY DIECASTING.

2005.12.14		圖面審核 何建志		RV16A01F-20-17K-AF5		
No.	DATE	DESCRIPTION	PART No.	NAME		
TOL. UNLESS OTHERWISE STATED		DIMENSION	SCALE	DRAWN BY	CHECKED BY	APPROVED BY
less than	10	±0.3	2 1	何建志 94.12.15	王茂林 94.12.15	李信昌 94.12.15
above	10~30	±0.5				
above	30~100	±1.0				
above		±5'				
		mm				DRAWING No.