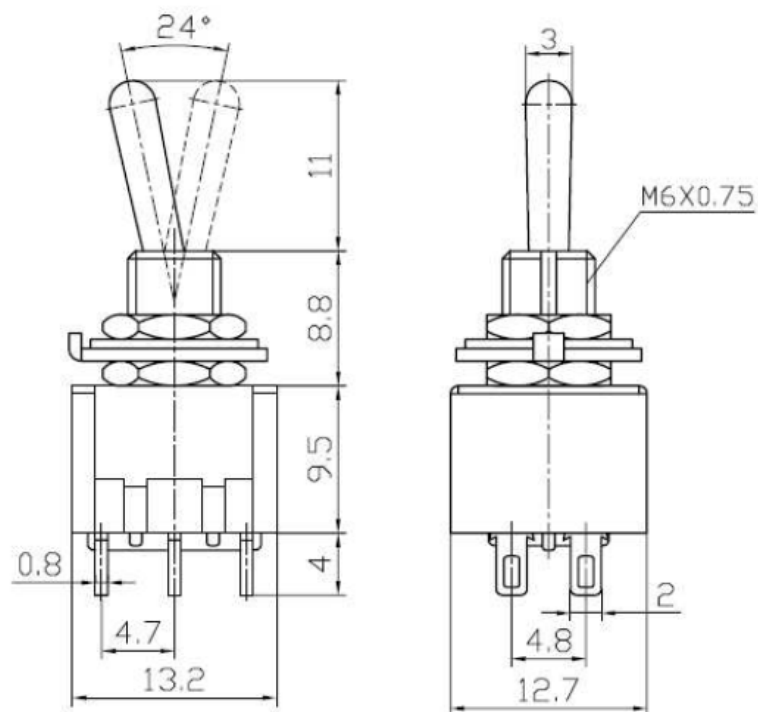
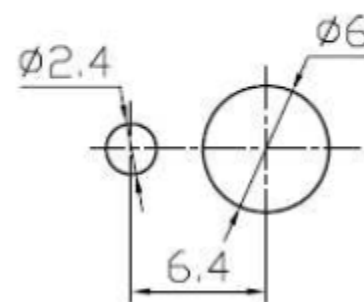


## 外型图 (Outline Drawing)



## 安装尺寸 (Mounting)



## 技术特性 (Specification)

1. 规格 (Rating): 6A 125V AC; 3A 250V AC
2. 接触电阻 (Contact R): 20m $\Omega$  max
3. 绝缘电阻 (Insulation R): 500V DC 1000M $\Omega$  min
4. 耐电压 (Dielectric Strength): 1 Minute 1500V AC
5. 操作温度 (Operating Temperature): -25 $^{\circ}$ C ~ +85 $^{\circ}$ C
6. 电气寿命 (Electrical Life): 10, 000 Cycles