

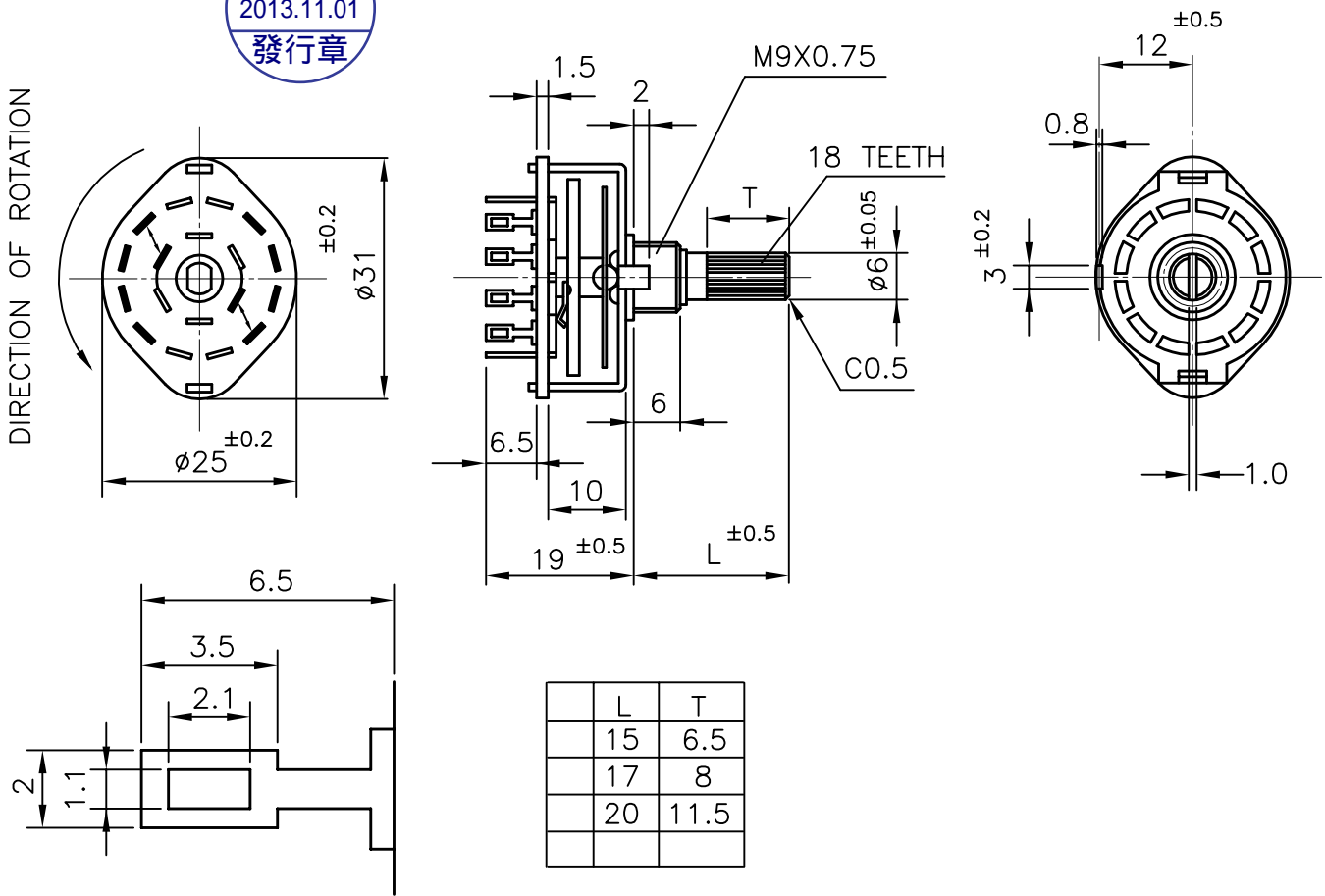
ROTARY SWITCH

MODEL

SR2511F-0204-(L)K0A-C9-S-3

SPECIFICATIONS

Rating	AC125V 0.3A
Contact Resistance	50 mΩ Max.
Insulation Resistance	DC500V-100 MΩ Min.
Withstand Voltage	AC500V-1 Minute
Rotation Torque	1.0±0.5 Kg-cm
Sizes (m.m)	As Following Drawings



DETAIL OF TERMINAL(5/1)

- NOTE:
1. TOLERANCES UNLESS OTHERWISE SPECIFIED: ±0.4mm
 2. ACCESSORY PARTS: ø9 HEXAGON NUT ONE PIECE & WASHER ONE PIECES
 3. TIMING: SHORTING

Date

2010.07.22

DWN



CHKD



APP'D



TAIWAN ALPHA ELECTRONIC CO., LTD.