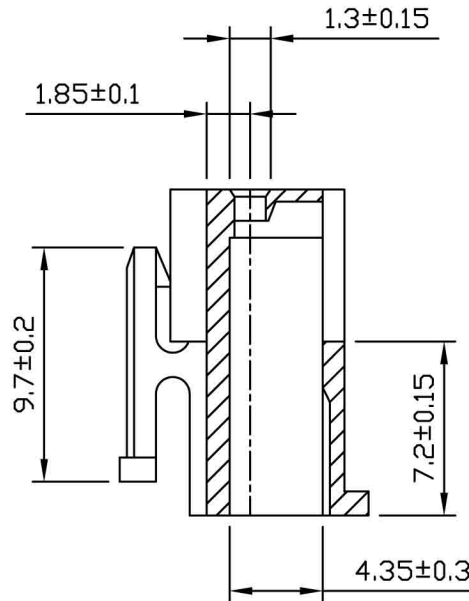
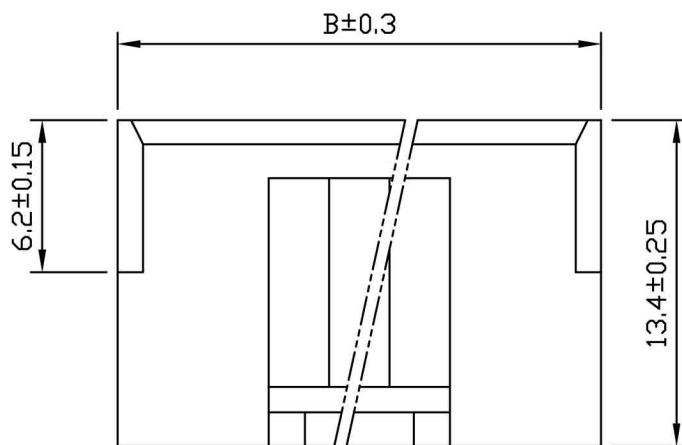
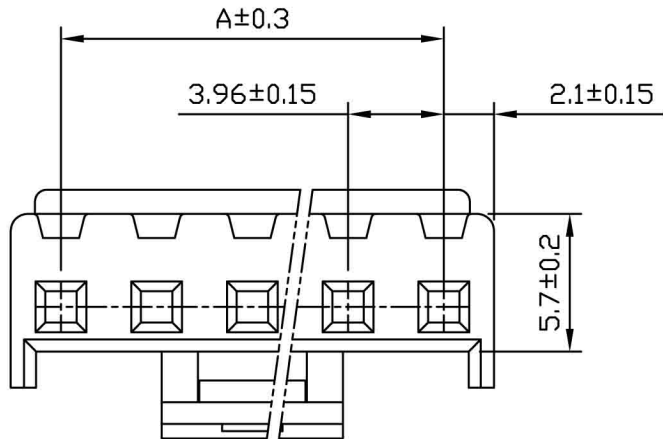


REV	ECN NO.	DESCRIPTION	DATE
A		RELEASE	JUN. 14'05



■ SPECIFICATIONS

- Voltage Rating : 250V AC/DC
- Current Rating : 7A AC/DC
- Withstanding Voltage : 1500V AC/minute
- Insulation Resistance : 1000MΩ min
- Temperature Range : - 25°C to + 85°C
- Contact Resistance : 20mΩ max

■ HOUSING

- Poles : 2-15
- Material : Nylon 66 UL94-V0
- Q' ty : 1000 pcs./Bag

Poles	Dimension(mm)	
	A	B
2	3.96	7.90
3	7.92	11.90
4	11.88	15.90
5	15.84	19.90
6	19.80	23.90
7	23.75	27.90
8	27.72	31.90
9	31.68	35.90
10	35.64	39.90
11	39.60	43.90
12	43.56	47.90
13	47.52	51.90
14	51.48	55.90
15	55.44	59.90

TOLERANCE UNLESS OTHERWISE SPECIFIED

LINEAR	ANGLE
X. ± 0.30	X° ±
.XX ± 0.20	.XX° ±
.XXX ± 0.10	.XXX° ±

PROJECTION

UNITS	MM
SCALE	
SIZE	A4



GOLD-TEK ELECTRIC CO., LTD.

TITLE
3.96mm Pitch Housing

PART NO.
1121**

CPART NO.

CAD NO. I056
F:\PDF\HW\HW-0058

SHEET
1 OF 1

圖面編號: GTKSD1503-A(1)