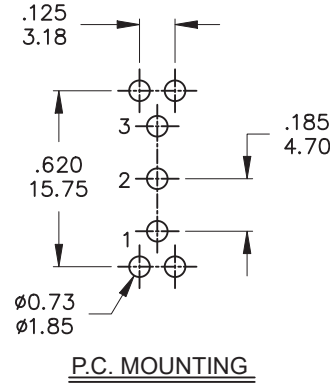
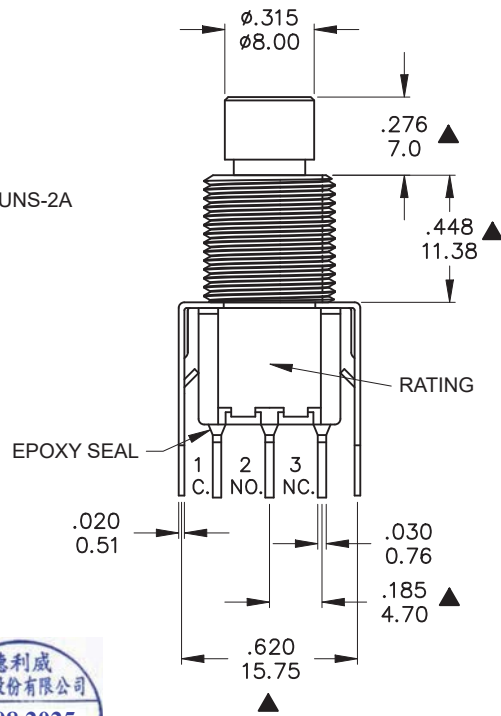
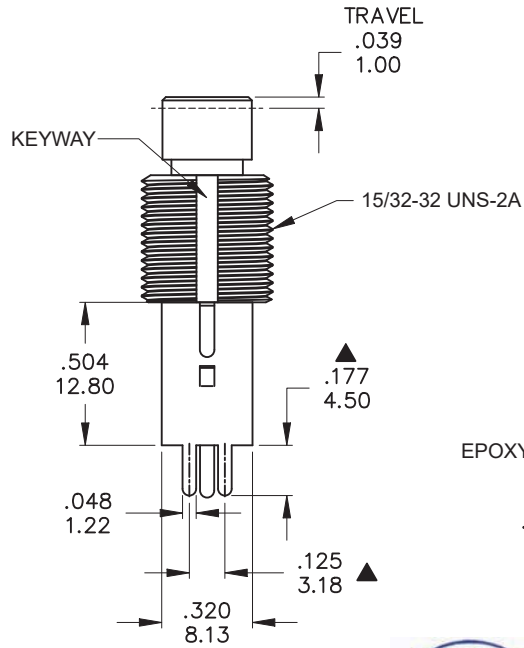


本公司智慧財產，未經同意不得複製  
DAILYWELL copyright, may not be used  
without permission from DAILYWELL



Model No.	POS.1	POS.2
7MS7	ON	(ON)
Term. Comm.	1-3	1-2
SCHEMATIC		

SWITCH FUNCTION



**SPECIFICATIONS**

**MECHANICAL LIFE:** 50,000 make-and-break cycles.  
**CONTACT RESISTANCE:** 20 mΩ max. initial @ 2-4 VDC  
 100 mA for both silver and gold plated contacts.  
**INSULATION RESISTANCE:** 1,000 MΩ min.  
**DIELECTRIC STRENGTH:** 1,000 Vrms min.@sea level.  
**OPERATING TEMPERATURE:** -40°C to 85°C.

**MATERIALS**

**CASE:** Diallyl phthalate (DAP) (UL 94 V-0).  
**PLUNGER:** Brass, nickel plated.  
**BUSHING:** Brass, nickel plated.  
**HOUSING:** Stainless Steel.  
**TERMINAL/CONTACT:** Brass.  
**RoHS & Lead Free**

	CONTACT PLATING	TERMINAL PLATING	RATINGS
Q	Silver	Silver	3 Amps @120 VAC or 28VDC
C	Gold over Silver	Gold over silver	1 Amps @250 VAC
R	Gold	Gold	0.4 Volt-Amps(VA) max. @20V max. (AC or DC)

**德利威電子股份有限公司**  
**DAILYWELL ELECTRONICS CO.,LTD.**

符號	原尺寸	修改後尺寸	變更日期	SCALE (比例) : 3 : 2	TITLE 圖名	SIZE 圖紙
1 (A)				TOLERANCE (公差) : 0.00mm±0.25mm 0.0mm±0.40mm ANGULAR: ±5° FILE NAME : 7MSP0846	Snap-Acting Pushbutton Switches SIZE A4	
2 (B)					DWG NO. 圖號 7MS7PBB13VS2QES-5 UNIT 單位 inch mm	
3 (C)					REV. 版本 A DATE 日期 JUL - 08 - 2025 SHEET 張數 1 of 1	
4 (D)					APPROVE 審核 顧睿豐 CHECK 確認 范家榛 DRAW 製圖 IRENE	
5 (E)						