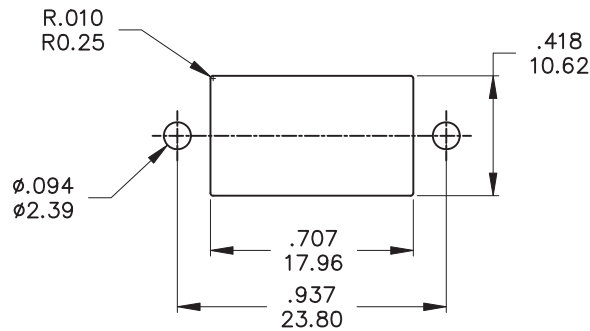
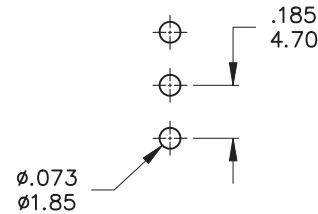


Model No.	POS.1	POS.2	POS.3
3MS2	ON	NONE	MOM
Term. Comm.	2-3	N/A	2-1
SCHEMATIC			

SWITCH FUNCTION



RECOMMENDED MOUNTING



P.C. MOUNTING

SPECIFICATIONS

MECHANICAL LIFE: 40,000 make-and-break cycles.
CONTACT RESISTANCE: 10 m Ω max. initial @ 2-4VDC
 100mA for both silver and gold plated contacts.
INSULATION RESISTANCE: 1,000 M Ω min.
DIELECTRIC STRENGTH: 1,000 Vrms min. @ seal level.
OPERATING TEMPERATURE: -30°C to 85°C.

MATERIALS

CASE: Diallyl phthalate (DAP) (UL94v-0).
ACTUATOR: Nylon, black std.
BUSHING: Brass, nickel plated.
HOUSING: Stainless Steel.
SWITCH SUPPORT: Brass, Tin plated.
TERMINAL/CONTACT: Brass, Silver or gold plated.
RoHS: 2002/95/EC

	CONTACT PLATING	TERMINAL PLATING	RATINGS
Q	Silver	Q = Silver	5 Amps @120 VAC or 28VDC 2 Amps @250 VAC
S		S = Silver, pure-tin	
C	Gold over Silver	C = Gold over silver	
K		K = Gold over silver, pure-tin	
R	Gold	R = Gold	0.4 Volt-Amps(VA) max. @20V max. (AC or DC)
G		G = Gold, pure-tin	

东莞市创恩电子有限公司

	符號	原尺寸	修改後尺寸	變更日期	SCALE (比例): 3:2
1	(A)				TOLERANCE (公差): 0.00 mm \pm 0.25mm 0.0 mm \pm 0.40mm ANGULAR: \pm 5° FILE NAME: 3MSP0755
2	(B)				
3	(C)				
4	(D)				
5	(E)				

TITLE 圖名	Miniature Rocker & Paddle Switches			SIZE 圖紙	A4
DWG NO. 圖號	3MS2R103M2QES			UNIT 單位	inch mm
REV. 版本	A	DATE 日期	AUG - 19 - 2011	SHEET 張數	1 of 1
CHECKED BY 審核	RICHARD		DRAWN BY 製圖	IRENE	