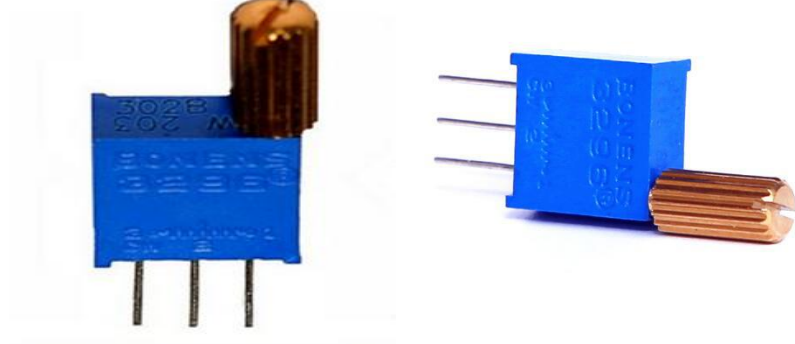
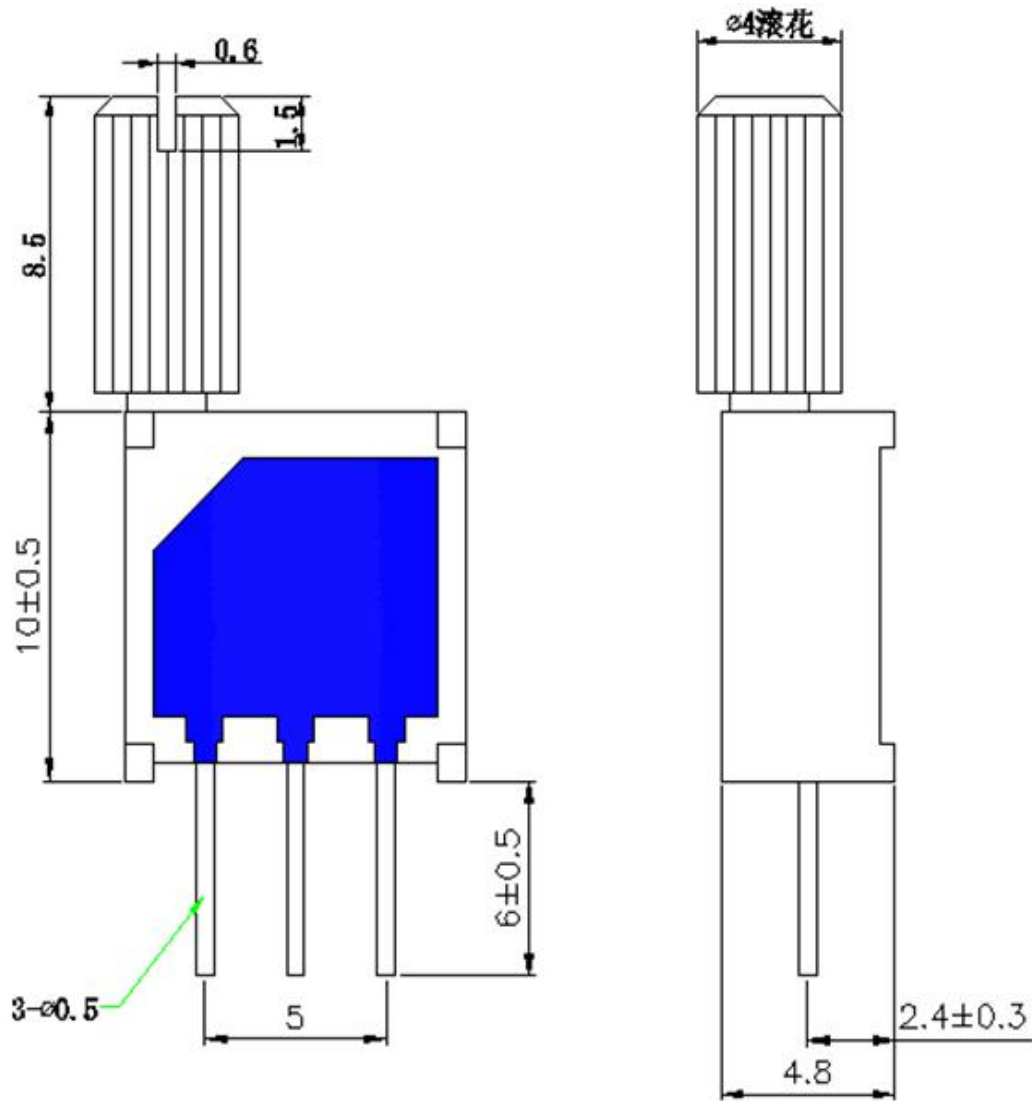


3296w long metal knob multi-turns trimmer potentiometer

1, Potentiometer Picture:



2, Potentiometer Drawing:



3, Characteristics of Potentiometer

Electrical Characteristics	Range of nominal resistance: $10\ \Omega \sim 5M\ \Omega$
	Resistance tolerance: $\pm 10\%$
	Terminal resistance: $\leq \pm 1\%R$ or $2\ \Omega$
	Contact resistance variation (CRV): $\leq \pm 1\%R$ or $3\ \Omega$
	Insulation resistance: $\geq 1G\ \Omega$ (100V AC)
	Withstand voltage: 640V (DC or AC peak value)
	Effective electrical travel: $\geq 70\%$ of mechanical travel
Environment Characteristics	Rated power: 0.5W (300V max)
	Temperature range: $-55^{\circ}\ C \sim +125^{\circ}\ C$
	TCR: $\pm 250 \times 10^{-6} / ^{\circ}\ C$
	Collision (390m/S ² , 4000 times): $\Delta R \leq \pm 1\%R$
	Vibration (10-500HZ, 0.75mm, 6h): $\Delta R \leq \pm 1\%R$, $\Delta U_{ab}/U_{ac} \leq \pm 2\%R$, Electrical break $\leq 100\ \mu\ S$
	Temperature variation ($-55^{\circ}\ C/30min$, $+125^{\circ}\ C/30min$, 5 cycles): $\Delta R \leq \pm 2\%R$, $\Delta U_{ab}/U_{ac} \leq \pm 2\%R$
	Climate category (IEC68-2-2): $\Delta R \leq \pm (5\%R + 0.1\ \Omega)$, Insulation Resistance $\geq 100M\ \Omega$
	Electrical endurance (0.5W, 1000h): $\Delta R \leq \pm (5\%R + 0.1\ \Omega)$, CRV $\leq \pm 3\%R$ or $5\ \Omega$
	Mechanical endurance (200 cycles): $\Delta R \leq \pm (10\%R + 0.5\ \Omega)$, CRV $\leq \pm 3\%R$ or $5\ \Omega$
	Steady damp heat (IEC68-2-3, Ca, 96h): $\Delta R \leq \pm (5\%R + 0.1\ \Omega)$, Insulation Resistance $\geq 100M\ \Omega$

Physical Characteristics	Total mechanical travel: 28 ± 2 lap	
	Starting torque: ≤ 35 mN.m	
	Standard package	50 pcs /tube(3296W,3296Y)
		40 pcs/tube(3296X,3296Z,3296)