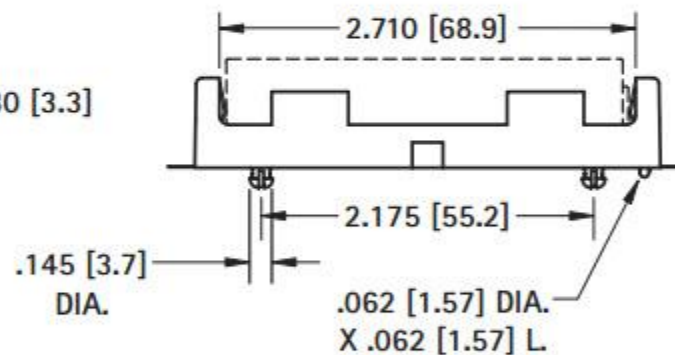
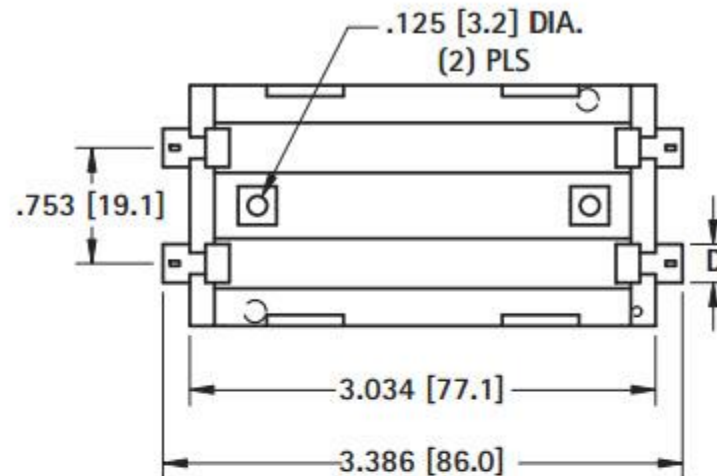
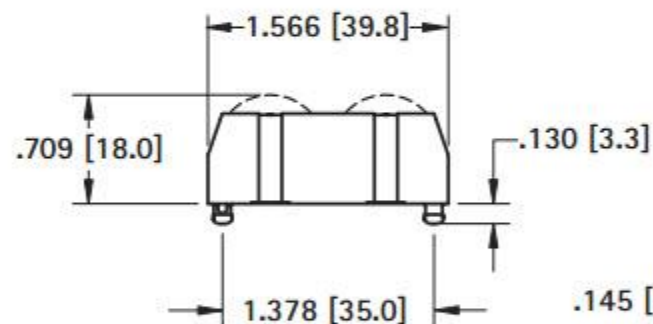


## CELL



### SPECIFICATIONS

**Base:** High Temp Nylon 46, UL 94V-0

**Contacts:** .012 (.30) Stainless Steel,  
Gold Plate (Flash)

**CAT. NO. 1048** Dual Springs

**CAT. NO. 1048P** Polarized Holder

**Packaging Spec's:** 25 pieces per tray

### Pad Layout

