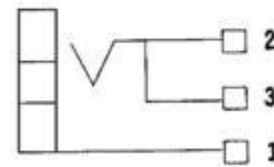
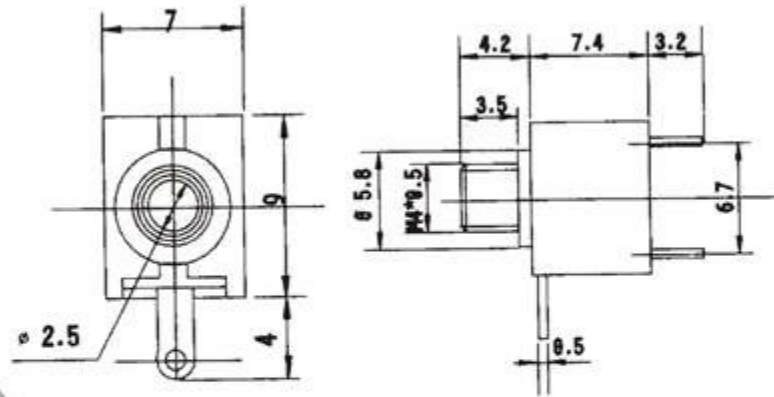
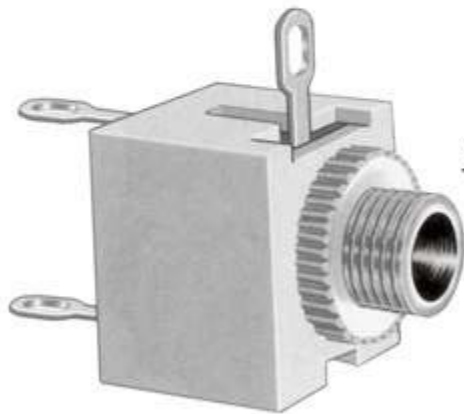


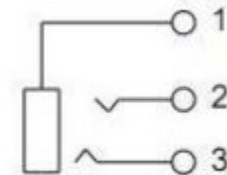
2F01m

Rating:

0.3A 50V DC



MONO



STEREO