

## Low-Profile Slide Series

### Application

✓ Audio, Home appliance, Lighting control, ect.

### Feature

✓ Smooth slide feeling.



### ■Specification

Operating Temperature Range	-10 °C~70°C
Standard Resistance Tolerance	±20%
Insulation Resistance	100 MΩ Min. at 250V DC
Dielectric Strength	1 minute at 300V AC
Travel Distance	15mm, 20mm, 25mm, 30mm, 45mm, 60mm
Operating Force	20~260 gf.cm
Sliding Life	15,000 cycles

### ■How to order

RA1543F-20 – 15C1 - B10K - 01

Model

Lever Type

#### Taper and Resistance Value

Ex:

Order Code	Taper	Resistance Value
A100K	Log/A	100KΩ
B10K	Linear/B	10KΩ
C500K	Rev-log/C	500KΩ

Taper: A, B and C

Resistance Value: 1KΩ to 500KΩ and 1MΩ

\*Contact us for other requirements.

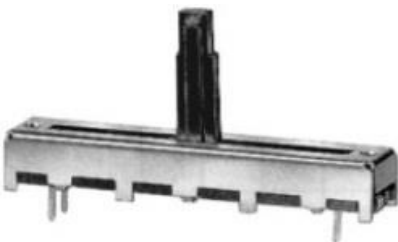
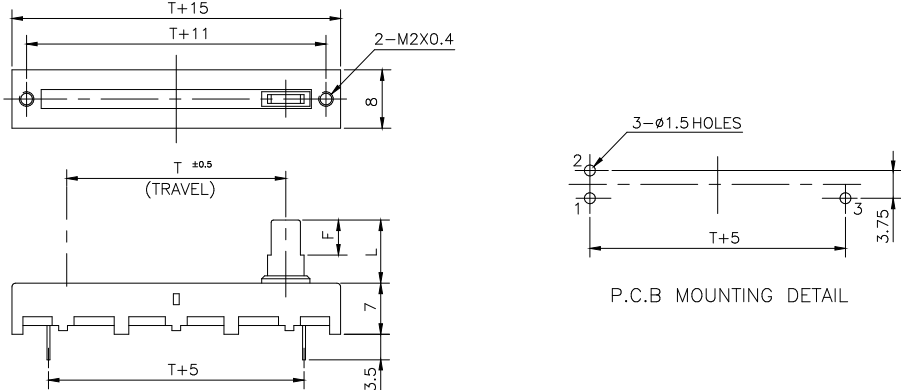
#### Click and Dust Cover

Order Code	Description
01	With dust cover
C	With center click
C1	With center click and dust cover
Blank	Without center click and dust cover

## Low-Profile Slide Series

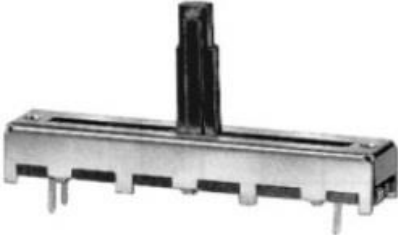
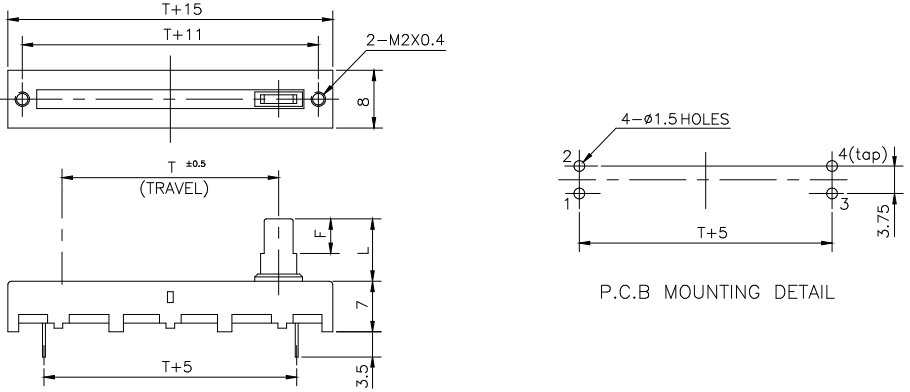
### Model Description

Model	Number of Unit	Travel Distance	Type of Terminal	Tap	Mounting Height
<a href="#">RA1543F-20</a>	Single Unit	15mm	PC board (vertical)	N/A	7mm
<a href="#">RA2043F-20</a>	Single Unit	20mm	PC board (vertical)	N/A	7mm
<a href="#">RA2043F-20T</a>	Single Unit	20mm	PC board (vertical)	With center tap	7mm
<a href="#">RA2543F-20</a>	Single Unit	25mm	PC board (vertical)	N/A	7mm
<a href="#">RA2543F-20T</a>	Single Unit	25mm	PC board (vertical)	With center tap	7mm
<a href="#">RA3043F-20</a>	Single Unit	30mm	PC board (vertical)	N/A	7mm
<a href="#">RA3043F-20T</a>	Single Unit	30mm	PC board (vertical)	With center tap	7mm
<a href="#">RA4543F-20</a>	Single Unit	45mm	PC board (vertical)	N/A	7mm
<a href="#">RA4543F-20T</a>	Single Unit	45mm	PC board (vertical)	With center tap	7mm
<a href="#">RA6043F-20</a>	Single Unit	60mm	PC board (vertical)	N/A	7mm
<a href="#">RA6043F-20T</a>	Single Unit	60mm	PC board (vertical)	With center tap	7mm

Order Code	Outline Drawing
RA□□43F-20 	 <p>Technical drawing details include:            - Top view dimensions: <math>T+15</math>, <math>T+11</math>, <math>2-M2X0.4</math>, <math>\varnothing 8</math>            - Side view dimensions: <math>T \pm 0.5</math> (TRAVEL), <math>F</math>, <math>L</math>, <math>7</math>, <math>3.5</math>            - P.C.B MOUNTING DETAIL: <math>3-\varnothing 1.5</math> HOLES, <math>2</math>, <math>1</math>, <math>T+5</math>, <math>3</math>, <math>3.75</math></p>

[Back to top](#)

## Low-Profile Slide Series

Order Code	Outline Drawing
RA□□43F-20T 	

### ■ Lever Type

Model	RA□□43F Series															
Lever Type	C1					D1			DA		AA			EB		
Dimension	Metal lever					Metal lever			Insulated lever		Insulated lever			Insulated lever		
Length(L)	F	5	10	10	10	F	10	10	10	15	5	15	20	10	15	20
	L	10	15	20	25	L	15	20								

RED, WHITE markers are available for "EB" type lever.

Design and specifications presented here are for the standard parts only. Please kindly contact us for your special requests and ask for the current technical specifications before purchase and/or use.

[Back to top](#)

# Mouser Electronics

Authorized Distributor

Click to View Pricing, Inventory, Delivery & Lifecycle Information:

## Alpha (Taiwan):

[RA6043F-20-10EB1-A14](#) [RA6043F-20-10EB1-A54](#) [RA3043F-20-10EB1-B14](#) [RA6043F-20-10EB1-B54](#) [RA3043F-20-10EB1-B13](#) [RA6043F-20-10EB1-B53](#) [RA6043F-20-10EB1-B13](#) [RA3043F-20-10EB1-B53](#) [RA6043F-20-10EB1-B14](#) [RA6043F-20-10EB1-A15](#) [RA6043F-20-10EB1-B15](#) [RA3043F-20-10EB1-B15](#) [RA3043F-20-10EB1-A53](#) [RA6043F-20-10EB1-A53](#) [RA2043F-20-10EB1-A100K](#) [RA2043F-20-10EB1-B50K](#) [RA2043F-20-10EB1-B1K](#) [RA2043F-20-10EB1-B100K](#) [RA2043F-20-10EB1-A5K](#) [RA2043F-20-10EB1-A10K](#) [RA2043F-20-10EB1-B5K](#) [RA2043F-20-10EB1-A50K](#) [RA2043F-20-10EB1-B10K](#) [RA3043F-20-10EB1-A100K](#) [RA6043F-20-10C1-B10K-01](#) [RA4543F-20-15D1-B10K-01](#) [RA3043F-20-10EB1-A50K](#) [RA6043F-20-10EB1-B10K](#) [RA6043F-20-10EB1-A5K](#) [RA3043F-20-10EB1-B50K](#) [RA3043F-20-10EB1-A10K](#) [RA6043F-20-10EB1-A10K](#) [RA6043F-20-10EB1-B5K](#) [RA6043F-20-10EB1-A50K](#) [RA6043F-20-10EB1-B1K](#) [RA6043F-20-10EB1-B50K](#) [RA3041F-20-15DA-B50K-C](#)