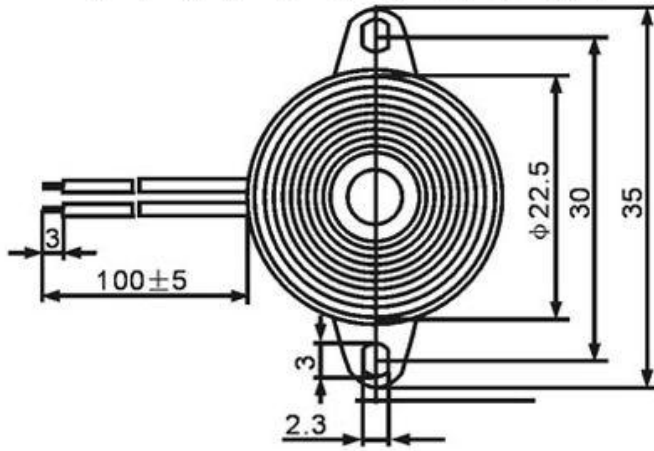
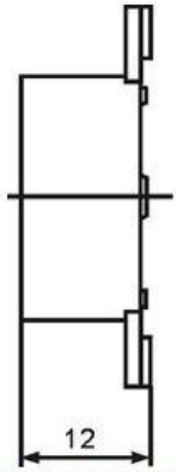
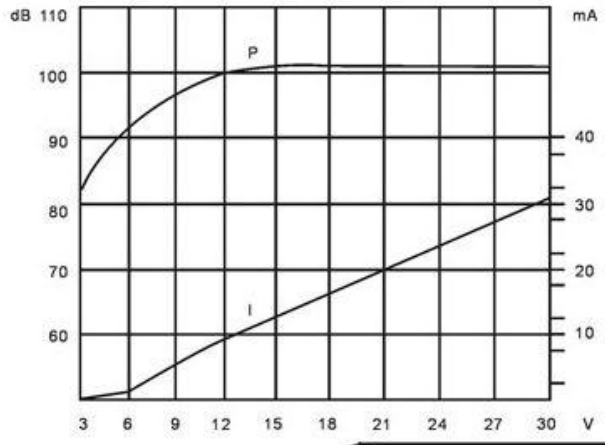


FREQUENCY RESPONSE



SPECIFICATIONS

| Type | Unit | HYD-2312 | | |
|----------------------------|------|----------|----------|----------|
| Rated Voltage(Square Wave) | V | 6 | 12 | 24 |
| Operating Voltage | V | 3-9 | 8-16 | 18-28 |
| *Rated Current(MAX) | mA | 10 | 12 | 10 |
| *Min Sound Output at 10 cm | dB | 85 | 85 | 90 |
| *Resonant Frequency | Hz | 3300±500 | 3300±500 | 3400±500 |
| Operating Temperature | °C | -20~+60 | | |
| Housing Material | | ABS | | |
| Weight | g | 14 | | |