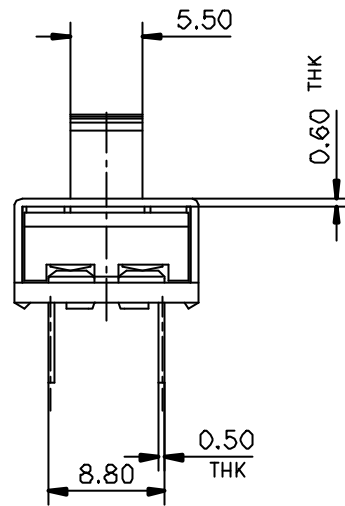
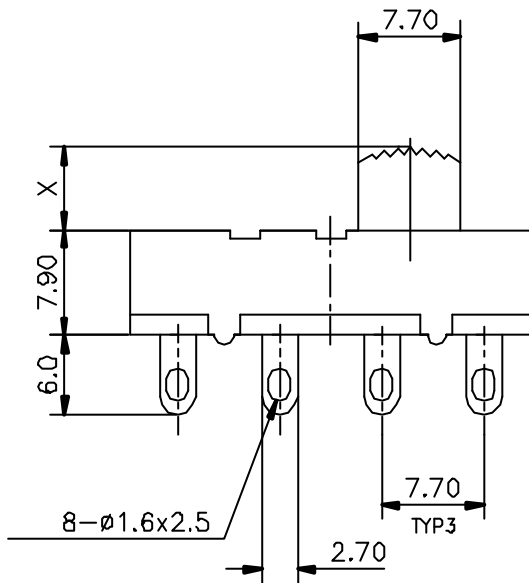


NON-SHORTING
SCHEMATIC



X =

MARKING:

SIDE A:

AC 125V 11A

SIDE B: U11

AC 250V 5.5A

ISSUED	SPECIFICATION (INITIAL)	TITLE: SLIDE SWITCH			
	RATING: 11A 125VAC 5.5A 250VAC	MODEL NO: U11SS-23L04-G			
	CONTACT RESISTANCE: MAX. 30mΩ	UNIT: m	m	DWN	
	INSULATION RESISTANCE: 500MΩ AT 500V DC	SCALE: 2 : 1	CHK'D		
	WITHSTAND VOLTAGE: AC 1000V FOR 1 MIN	TOLERANCE: ±0.20	APPD.		
	OPERATION FORCE: 400±150g	DRWG NO: 990085-01			
	SWITCHING LIFE: 10000 Cycles (6-10c/m loading)	PROMOTIVE INDUSTRIAL CO., LTD. HONG KONG			
BY:					
DATE:					

The material contained in this drawing is the property of PIC. Any use other than that specifically authorized by PIC is prohibited. The above drawing is subjected to change for improvement without prior notice.

ENGF-51