

# PIN HEADER 90° DIP TYPE (2.54MM PITCH)

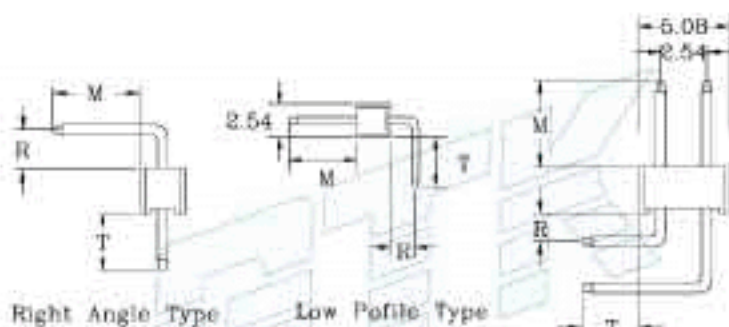
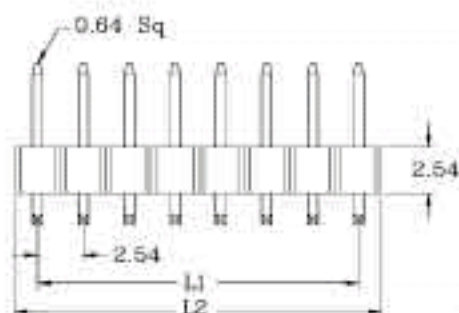


## MATERIAL

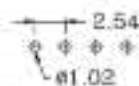
- \*Insulator : Polyester (UL 94V - 0)
- \*Contact Pin : Brass
- \*Contact Plated : Gold over NICKEL or Tin
- \*Color : Black

## SPECIFICATION

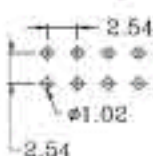
- \*Current Rate : 3A
- \*Operation Temperature : - 40°C to + 105°C
- \*Dielectric Withstanding : AC 500V
- \*Voltage : AC 250V
- \*Insulation Resistance : 5000MΩ Min.



Recommended P.C.Board Hole Layout



Recommended P.C.Board Hole Layout



DIMENSION	
L1	2.54mm (0.05") x (POSITION NO. - 1)
L2	2.54mm (0.05") x POSITION NO.
M	Mating Length
T	Tail Length
R	Right Angle Length

UNIT : mm

## Ordering Information

STANDARD DIMENSION : SHOW P/N END TO CODE #7

SPECIAL DIMENSION : KEEP SHOWING CODE #8-#12 (PS. 標準碼為7碼. 8-12視需要加註於標準碼後)

PH	S	R	30	G	1	0	/	**	/	**	/	**	-	**	-	5V
1	2	3	4	5	6	7		8		9		10		11		12

### 1. SERIES NO (產品系列)

PH = PIN HEADER (排針)

### 2. ROW TYPE (排別)

S = SINGLE ROW (單排)  
D = DOUBLE ROW (雙排)

### 3. TERMINAL TYPE (端子類別)

R = RIGHT ANGLE TYPE (90°)  
L = LOW PROFILE TYPE (90°)

### 4. NO. OF PIN (端子數)

01 TO 40 (SINGLE ROW 單排)  
04 TO 80 (DOUBLE ROW 雙排)

### 5. CONTACT PLATED (端子電鍍)

T = ALL TIN PLATED (全鍍錫)  
G = ALL GOLD PLATED (全鍍金)  
H = TIN PLATED ON TERMINAL  
& GOLD PLATED ON CONTACT  
(鍍半金鍍)

### 6. PITCH - PIN TO PIN (端子距離)

1 = 2.54MM

### 7. PITCH - ROW TO ROW (排距)

0 = SINGLE ROW ONLY (單排適用)  
1 = 2.54MM DIP

### 8. SPECIAL MATING (特殊上針長度)

STANDARD : 6.0MM

### 9. SPECIAL TAIL (特殊下針長度)

STANDARD : 3.0MM

### 10. SPECIAL RIGHT ANGLE (特殊彎角高度)

STANDARD : 1.5MM

### 11. SPECIAL PLASTIC HEIGHT (特殊塑膠高度)

STANDARD : 2.54MM

### 12. PULL OUT PIN (拔PIN)

\* V = NO. OF PIN