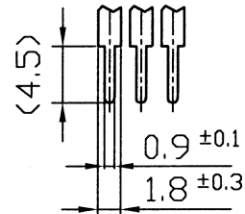
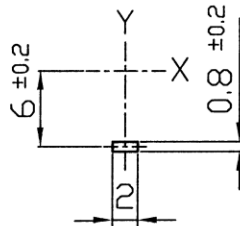
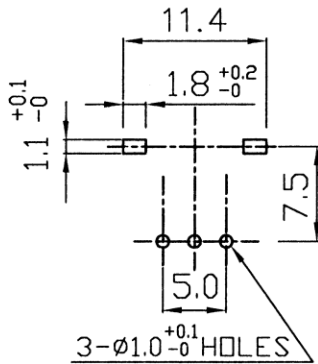
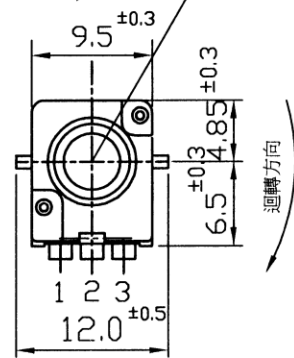
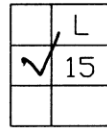
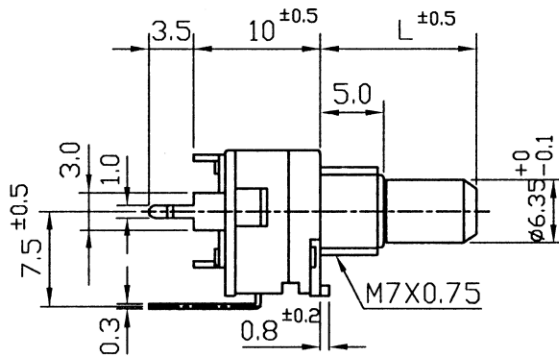


THIRD ANGLE PROJECTION

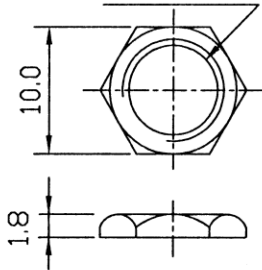
SHAFT SHOWN IN FULL C.C.W. POSITION

(迴轉開始位置)

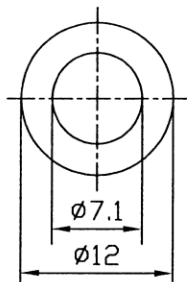


P.C.B. MOUNTING HOLE DETAIL

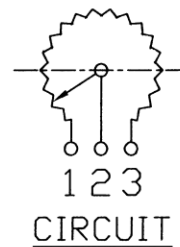
NUT 1PC  
M7X0.75



WASHER 1PC



● 300° ROTATION MONO UNIT



							-<ODDL1>
							-<OODL1>
							RD901F-40-<L>R1-XXX-0XD
No.	DATE	DESCRIPTION	MODEL NAME				
TOL.UNILESS OTHERWISE STATED	DIMENSION	SCALE	DRAWN BY	CHECKED BY	APPROVED BY	DRAWING No.	
less than 10	±0.3	mm 2:1	潘 2013.7.23 坤		章 2013.7.23 祖衛		
above 10~30	±0.5						
above 30~100	±1.0						
above	±5'						