



TAIWAN OASIS LED DATA SHEET

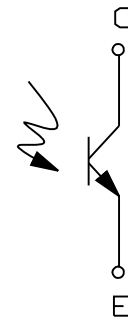
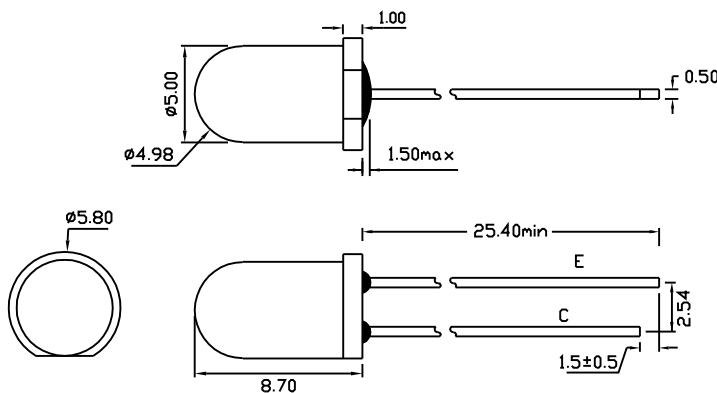
PART NO. : TOPS-050aTB₂

ABSOLUTE MAXIMUM RATING (Ta = 25°C)

Parameter	Symbol	Data	Unit	Test Condition
Collector-Emitter Breakdown Voltage	BV _{ceo}	30	v	I _c =100uA I _b =0
Emitter-Collector Breakdown Voltage	BV _{eco}	5	v	I _e =100uA I _b =0
Collector Dark Current	I _d	0.1	uA	V _{ce} =10v H=0mW/cm ²
Collector Light Current	I _L	4.0	mA	V _{ce} =10v 2856k 1000lx
Collect Power Dissipation	P _{cm}	140	mW	
Rise/Fall Time	Tr/Tf	5	uS	R=50 V _{ce} =10v I _c =1mA
Life Time	H	100'000	Hrs	V _{ce} =10v
Peak collection Wavelength	P	900	nm	
Spectral Range		750~1050	nm	
Operating Temperature Rang		-25 °C	to	70 °C
Storage Temperature Range		-30 °C	to	100 °C
Lens Color				Black

PACKAGE DIMENSIONS:

INTERNAL CIRCUIT DIAGRAM:



DATE	11/07/00'	SCALE	2.5:1	TOLERANCE	±0.25 ANGLE ±6°	DRAWN	华明亮	CHECKED	
UNIT	M/M	SHEET NO.	1/1	DRAWING NO.	S-050aTB ₂ -A	CUSTOMER		APPROVED	