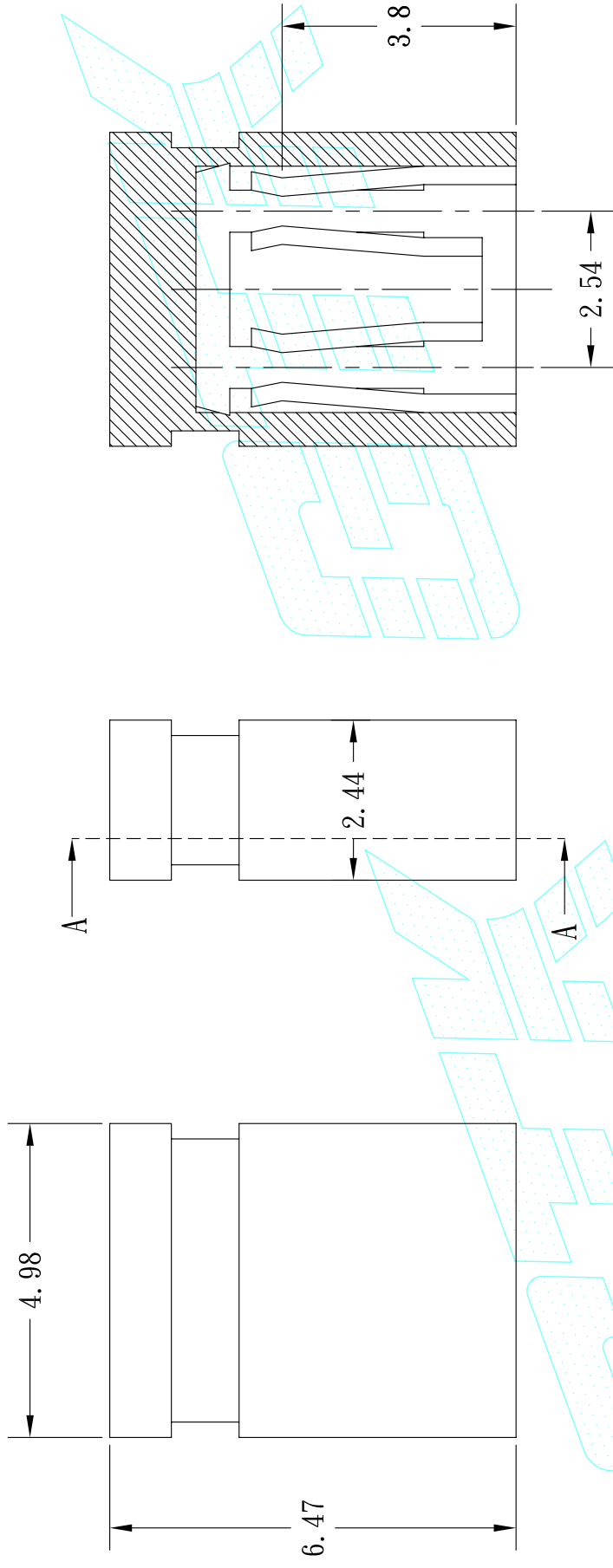


REV	ECN NO.	DESCRIPTION	DATE
A		RELEASE	OCT. 28' 05



SPECIFICATIONS

CURRENT RATING: 3 AMP MAX.
 CONTACT RESISTANCE: 30mΩ MAX.
 INSULATION RESISTANCE: 1000MΩ MAX.
 DIELECTRIC WITHSTANDING VOLTAGE: 650V AC RMS AT SEA LEVE

MATERIAL & FINISH

INSULATOR: 30% GLASS FILLED P. B. T (UL 94V-0).
 COLOR: RD=RED . BL=BLUE
 CONTACT: PHOSPHOR BRONZE , GOLD PLATED.

Note:
 /RH=RoHS Compliant.

TOLERANCE UNLESS OTHERWISE SPECIFIED		PROJECTION	GOLD-TEK ELECTRIC CO., LTD.	
LINEAR	ANGLE			PART NO.
X. ±	X° ±			MJ2MH/** (/RH)
.X ± 0.20	.X° ±			CAD NO.
.XX ± 0.10	.XX° ±			F:\Draw\SOC\SOC-0391
.XXX ±	.XXX° ±	SCALE	CPART NO.	SHEET
APPD		SIZE	A4	1 OF 1
CHKD		Z.	OCT. 28' 2005	
DRAW				

圖面編號: **GTKSD1660-A(1)**