

**Light color : Red 、 Green 、 Blue Color**

**Absolute maximum rating (Ta=25°C)**

- Reverse current : 100  $\mu$ A
- Peak current (duty=0.1,1KHz) : 100 mA
- Operating/Storage temperature range : -30°C~+85°C
- Derating linear from 25°C : 0.4 mA/°C
- Lead soldering temperature range : 260°C for 5 second

**Electro-optical characteristics (TA=25°C)**

**RED COLOR :**

Parameter	Symbol	Min	Typ.	Max	Unit	Test Condition
Forward voltage	VF	❖	2.00	2.35	V	IF=20 mA
Luminous intensity	IV		1200	❖	mcd	IF=20 mA
Peak emission wavelength	$\lambda p$		620	625	nm	❖
Half intensity angle	$\Delta\theta$	❖	30	❖	deg	❖

**GREEN COLOR :**

Parameter	Symbol	Min	Typ.	Max	Unit	Test Condition
Forward voltage	VF	❖	3.0	3.5	V	IF=20 mA
Luminous intensity	IV		2000	❖	mcd	IF=20 mA
Peak emission wavelength	$\lambda p$		520	525	nm	❖
Half intensity angle	$\Delta\theta$	❖	28	❖	deg	❖

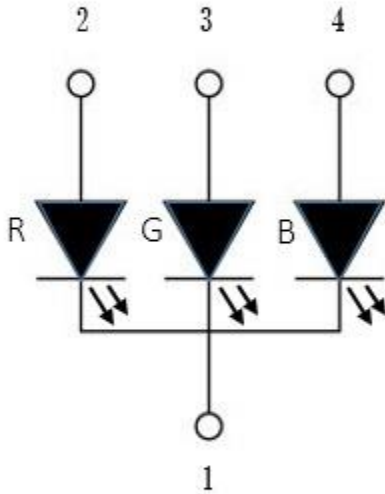
**BLUE COLOR :**

Parameter	Symbol	Min	Typ.	Max	Unit	Test Condition
Forward voltage	VF	❖	3.0	3.5	V	IF=20 mA
Luminous intensity	IV		1200	❖	mcd	IF=20 mA
Peak emission wavelength	$\lambda p$		460	465	nm	❖
Half intensity angle	$\Delta\theta$	❖	28	❖	deg	❖

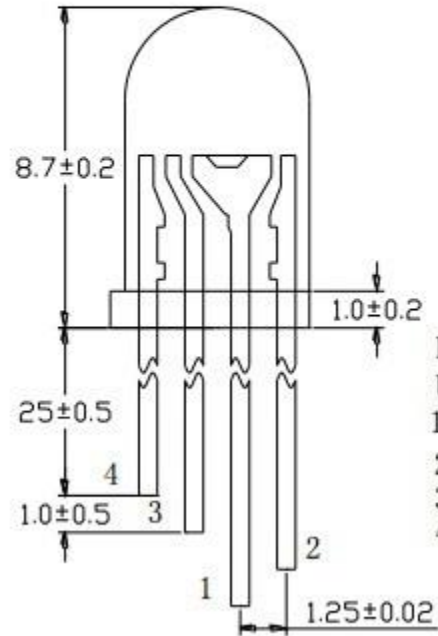
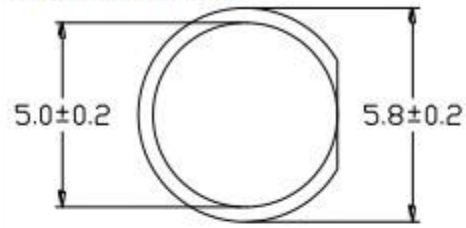
\*All specs and applications shown above subject to change without prior notice.

(以上电路及规格仅供参考，本公司可进行修正)

# Application Diagram



# Dimensions



Note:  
Unit:mm  
1:Cathode  
2:R  
3:G  
4:B