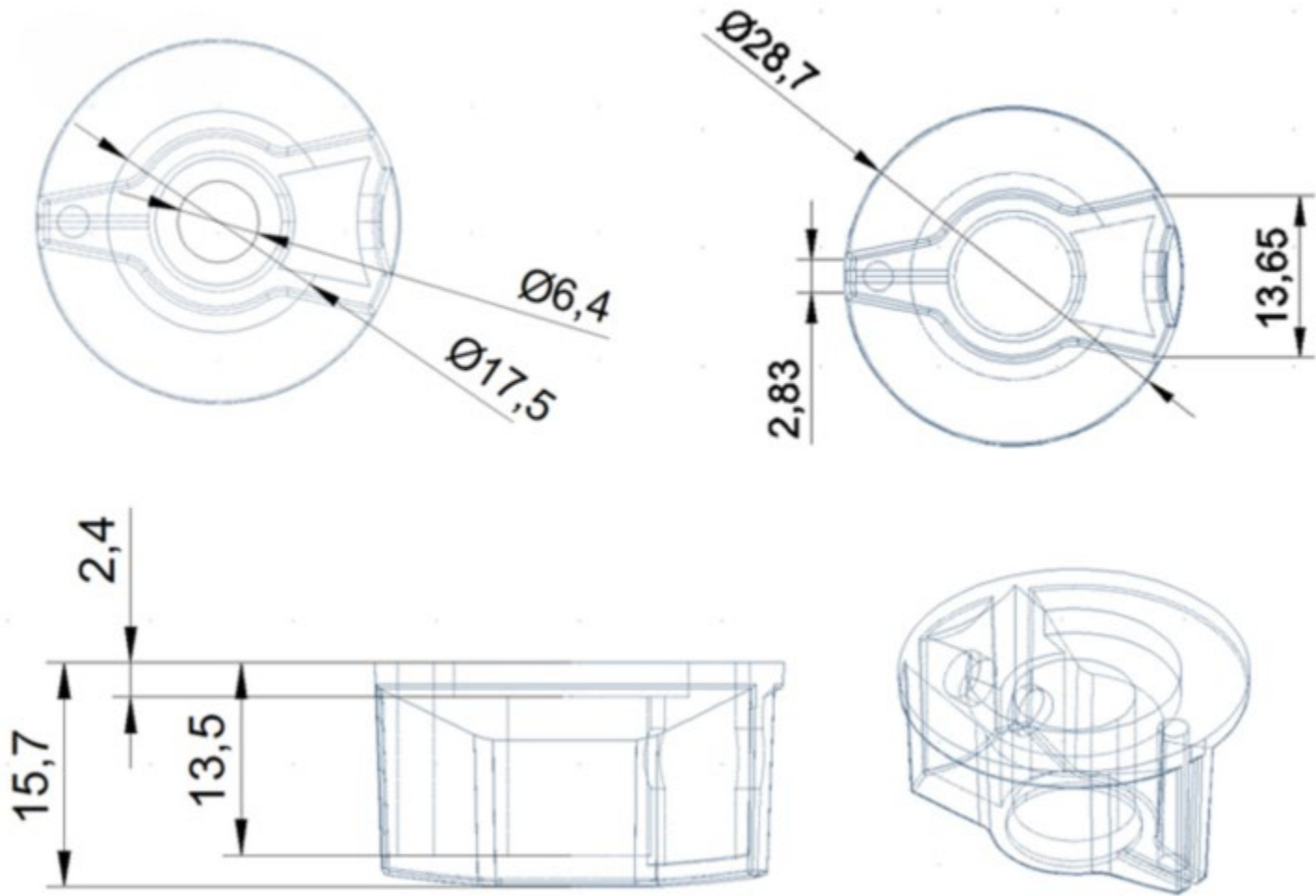


# External dimensions



Dimension in mm