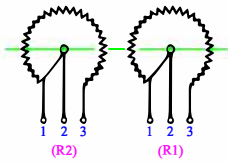
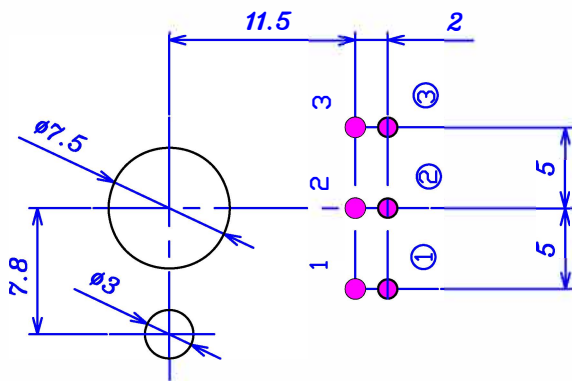
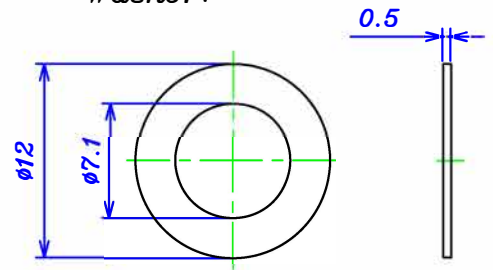


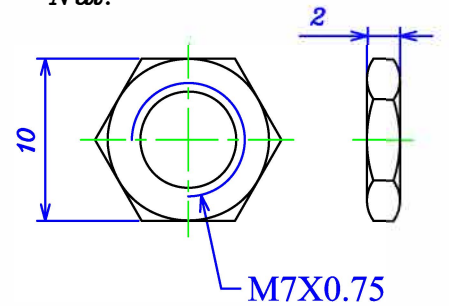
Mounting hole detail



Washer:



Nut:



4					Unit	Scale		
3					mm	2.5:1		
2				Designed	Checked	Approved	Dwg.Title	RV16108GO-OS15A00 外形图
1							Dwg.Name	
Zust	Design	Date	Name				No Allow±Number	
							Material	Card Number
							Disposal	Date Graphics
							10Below±0.2	10~100±0.5
							100Above±1.0	Angle±5°