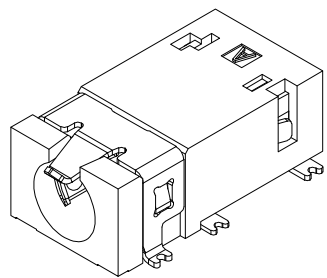
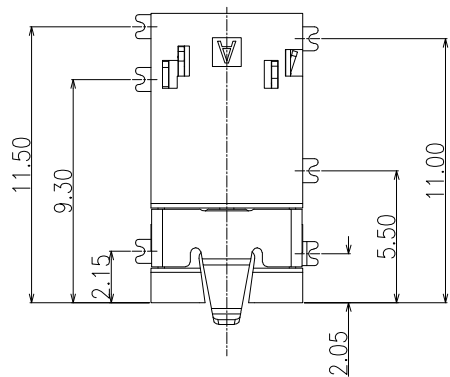


PROPRIETARY INFORMATION
COMPANY CONFIDENTIAL

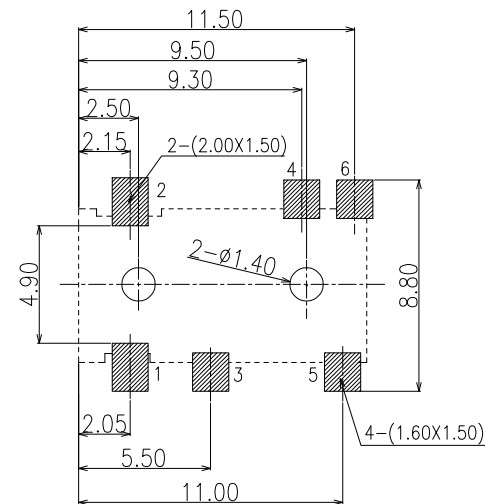
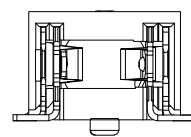
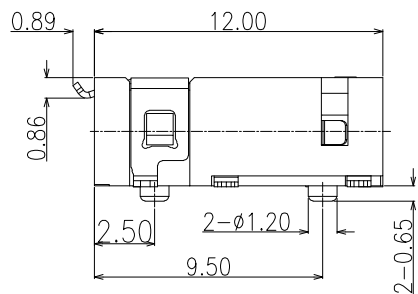
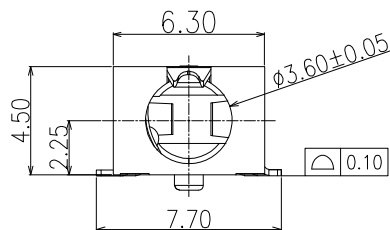
由 AUTODESK 学生版生成

REV.	ECN. NO.	DESCRIPTION	ENG	DATE
A		INITIAL	Lucky	11/01/17

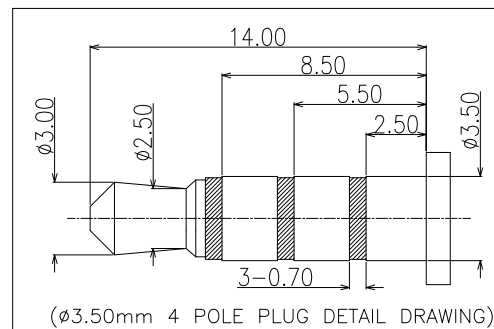
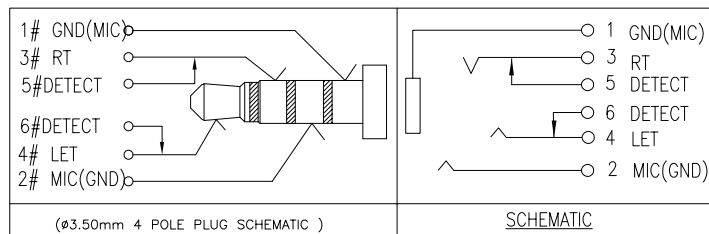
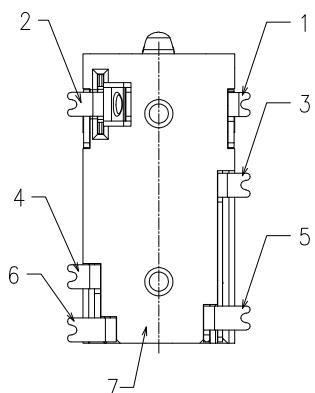


3D VIEW

- CONTACT CURRENT RATING: 1A.
- CONTACT RESISTANCE: 50 mΩ MAX.;
- INSULATION RESISTANCE: 100MΩ MIN.;
- DIELECTRIC WITHSTANDING: 500V AC MIN.;
- DURABILITY: 5,000 CYCLES MIN.;
- CONNECTOR MATING FORCES: 30N MAX.;
- CONNECTOR UNMATING FORCES: 3N MIN.;



P.C.B LAYOUT
TOP VIEW



(φ3.50mm 4 POLE PLUG DETAIL DRAWING)

ITEM	NAME	Q'TY	DESCRIPTION	NOTE
7	HOUSING	1	HIGHT TEMPERATURE PLASTIC COLOR BLACK	
6	TERMINAL 6#	1	COPPER ALLOY; NICKEL UNDER PLATING OVERALL,GOLD PLATING ON SOLDER AREA ;GOLD PLATING ON CONTACT AREA	T=0.25mm
5	TERMINAL 5#	1	COPPER ALLOY; NICKEL UNDER PLATING OVERALL,GOLD PLATING ON SOLDER AREA ;GOLD PLATING ON CONTACT AREA	T=0.25mm
4	TERMINAL 4#	1	COPPER ALLOY; NICKEL UNDER PLATING OVERALL,GOLD PLATING ON SOLDER AREA ;GOLD PLATING ON CONTACT AREA	T=0.25mm
3	TERMINAL 3#	1	COPPER ALLOY; NICKEL UNDER PLATING OVERALL,GOLD PLATING ON SOLDER AREA ;GOLD PLATING ON CONTACT AREA	T=0.20mm
2	TERMINAL 2#	1	COPPER ALLOY; NICKEL UNDER PLATING OVERALL,GOLD PLATING ON SOLDER AREA ;GOLD PLATING ON CONTACT AREA	T=0.25mm
1	TERMINAL 1#	1	COPPER ALLOY; THE BOTTOM OF THE NICKEL; THE WHOLE GOLD PLATING.	T=0.25mm

UNLESS OTHERWISE SPECIFIED TOLERANCES				DWG NO.		PART NAME:	
DECIMALS:		ANGLES:		DESIGN:		φ3.5mm PHONE JACK H=4.5 mm NO HEAD SMT TYPE CONNECTOR	
DIM	TOL	DIM	TOL	CHECK:		PART NO.	
X.	±0.50	X.	±2°	APPROVED		PJ35A051-F06G1BR-W	
X.X	±0.30	X.X	±1°			REV. UNIT: SHEET:	
X.XX	±0.20	X.XX	—			A mm 1/1	
X.XXX	±0.10	X.XXX	—				

由 AUTODESK 学生版生成