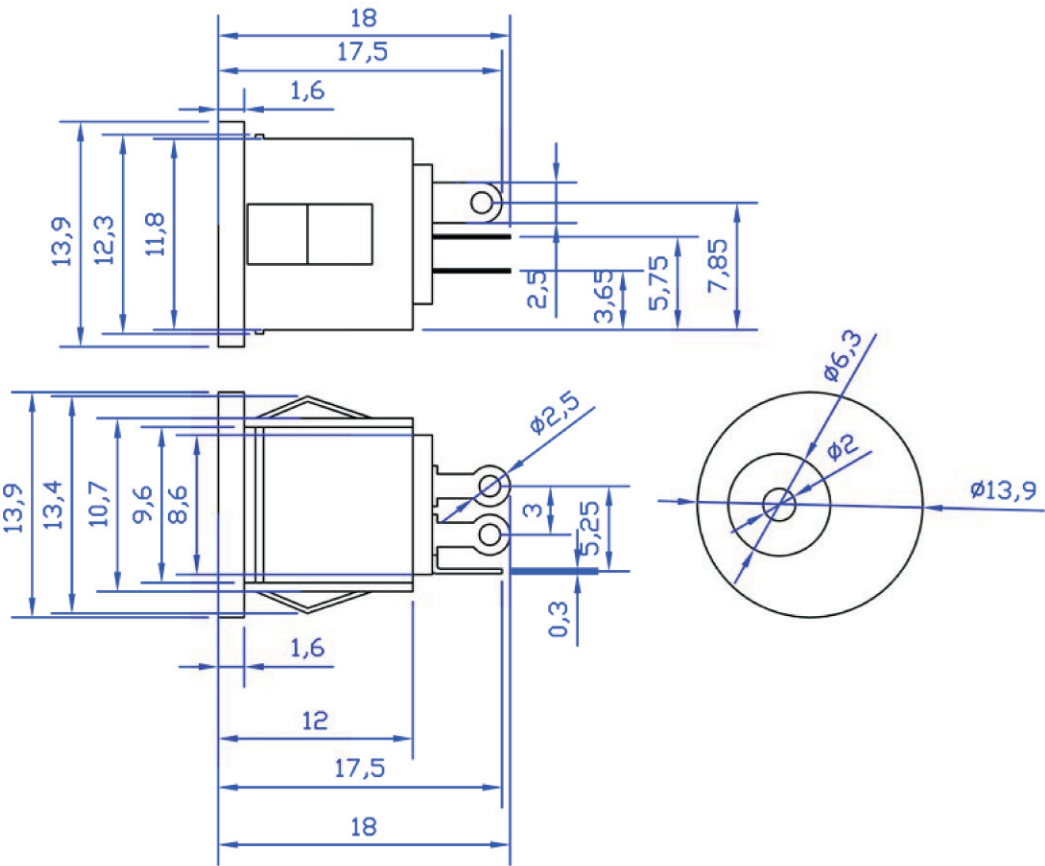


5	6	7	8
ECN ND	DESCRIPTION		CHANGER



DRAWN		PROJECTION:
YANGBING	SERIES	DID JACK
PAGE: 1/1	PART NO.	DC0002T
DATE: 2011.04.23	UNIT: MM	VERSION: A1

TOLERANCE			
6	PLX	1	IP90H-1 MR-Cu/Cu/Sn PLATE
5	TIP SPRING	1	SIS 11-6.3 MR-Cu/Cu/Sn PLATE
4	SHUNT SPRING	1	C2400 T-6.3 MR-Cu/Cu/Sn PLATE
3	REBOUND1	1	C2400 T-6.3 MR-Cu/Cu/Sn PLATE
2		1	BLACK
1	HOUSING	1	PBT EL 94V-0 BLACK

LT	TR	PART NAME	QTY	MATERIAL	(Ers. F.)	(Ers. d.)