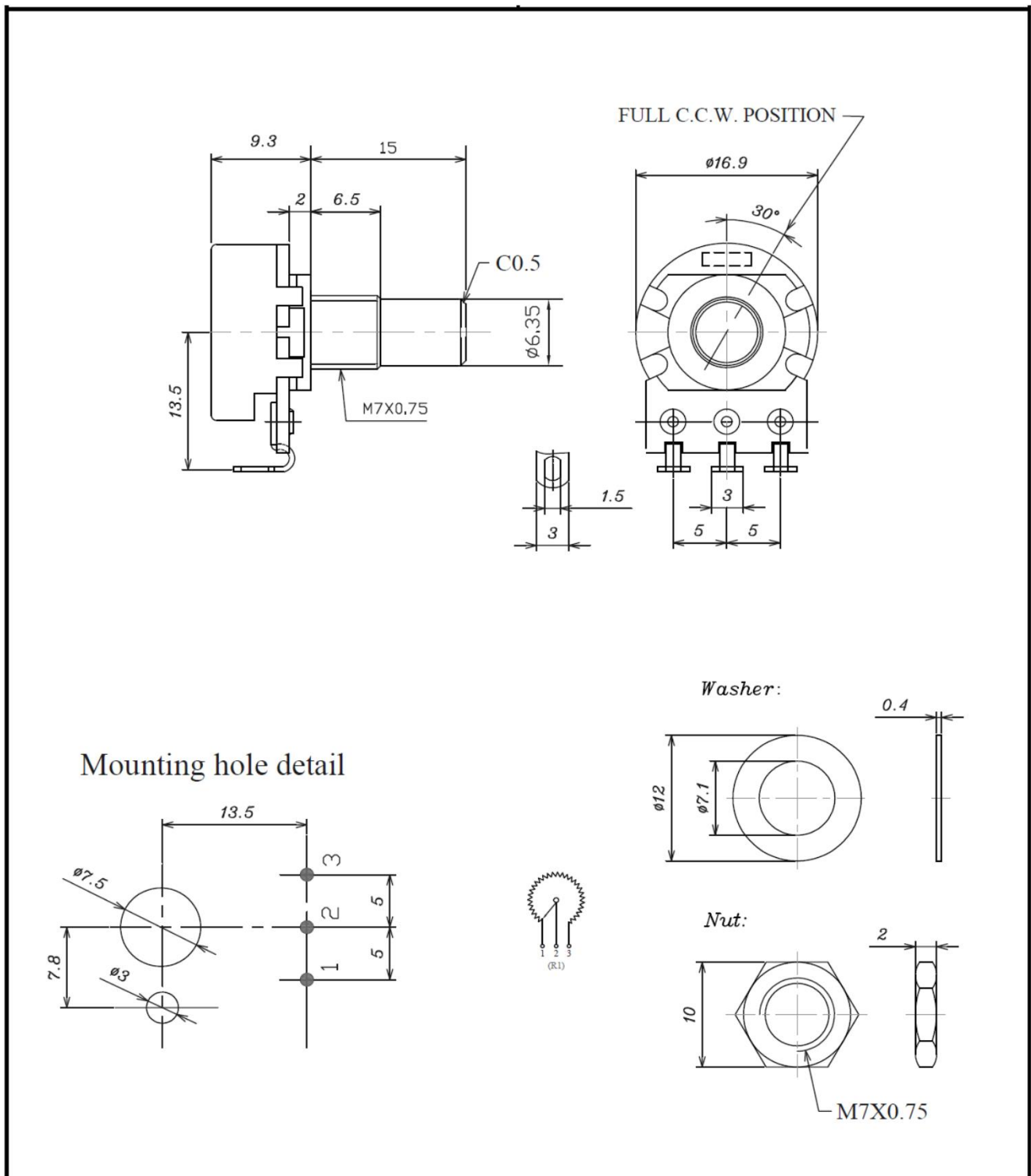


SPECIFICATION规格书	承认书编号	H-RP-201229
	页次	第1页 共2页

MODEL SERIES NAME 系列名称:	Rotary Potentiometer
MODEL NO 产品型号:	RV16108NO-OS15A00-B10K-060

一、构造 CONSTRUCTION

产品外形尺寸图:	按照图面规定 (Drawing)
外观 APPEARANCE	各部应良好无锈蚀、裂痕、电镀不良现象 EVRY PART SHOULD BE FINISHED NOT TO EXIST RUST FLAW CRACK AND PLATING



4				Unit	Scale	Hong Yuan Electronic Technology Co.,Ltd
3				mm	2.5:1	

SPECIFICATION规格书	承认书编号	H-RP-201229
	页次	第2页 共2页

MODEL SERIES NAME 系列名称:	Rotary Potentiometer
MODEL NO 产品型号:	RV16108NO-OS15A00-B10K-060

二、机械性能 MECANICAL STRUCTURE

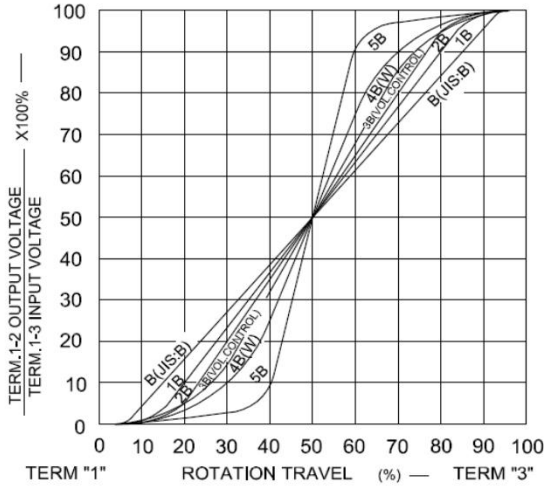
ITEM 项目	SPICIFICATION
2.1 全回转角度 Total rotational angle	300°±5°
2.2 转动力矩 Rotational torque	30-70gf.cm
2.3 回转止动强度 Rotational stopper strength	6Kgf.cm
2.4 轴押引强度 Push-pull strength	10Kgf
2.5 轴摇晃度 Shaft wobble	0.7×L/30mm p-p max.
2.6 定位推动力 Click Slip Out Force	50~300gf.cm

三、电气特性 ELECTRICAL CHARACTERISTICS

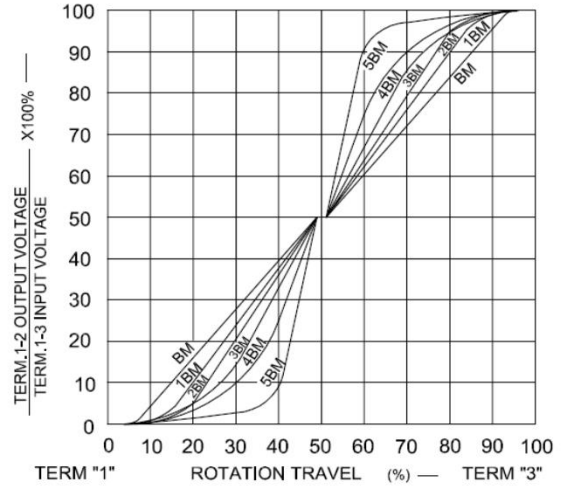
ITEM 项目	SPICIFICATION									
3.1 全阻抗值 Total resistance	<u>10K</u> Ω									
3.2 全阻抗值容许差 Total resistance tolerance	±20%									
3.3 残留电阻值 Residual resistance	<table style="width: 100%; border: none;"> <tr> <td style="width: 33%;">$R \leq 10K\Omega$</td> <td style="width: 33%;">10Ω</td> <td style="width: 33%;"></td> </tr> <tr> <td>$10K < R < 250K\Omega$</td> <td>20Ω</td> <td></td> </tr> <tr> <td>$R \geq 250K$</td> <td colspan="2">0.1% max. of total resistance</td> </tr> </table>	$R \leq 10K\Omega$	10Ω		$10K < R < 250K\Omega$	20Ω		$R \geq 250K$	0.1% max. of total resistance	
$R \leq 10K\Omega$	10Ω									
$10K < R < 250K\Omega$	20Ω									
$R \geq 250K$	0.1% max. of total resistance									
3.4 抵抗变化特性 Total resistance tolerance	<input type="checkbox"/> A <input checked="" type="checkbox"/> B <input type="checkbox"/> C <input type="checkbox"/> D <input type="checkbox"/> W <input type="checkbox"/>									
3.5 定格电力 Power rating	B : 0.1W A、C : 0.05W									
3.6 最高使用电压 Maximum operating voltage	150V AC 20V DC									
3.7 滑动杂音 Slider noise	未满100mv less than 100mv									
3.8 绝缘抵抗 Insulation resistance	100MΩ min. at 500V DC									
3.9 耐电压 Voltage proof	1 minute at 500V AC									
3.10 回转寿命 Rotational life	10,000 cycles min.									

STANDARD RESISTANCE TAPER

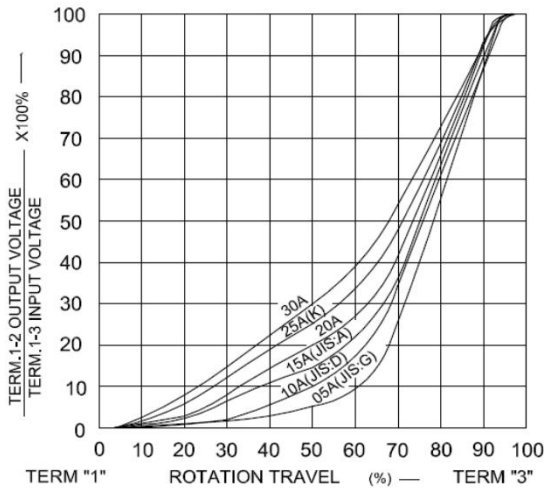
TAPERS B SERIES



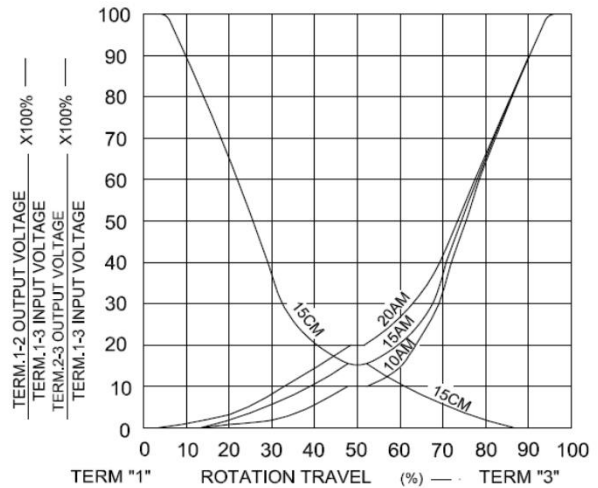
TAPERS B WITH 50% TAP



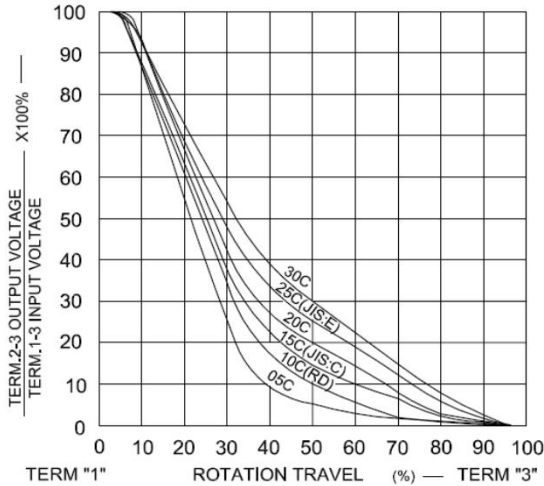
TAPERS A SERIES



TAPERS A & C WITH 50% TAP



TAPERS C SERIES



TAPERS M & N

