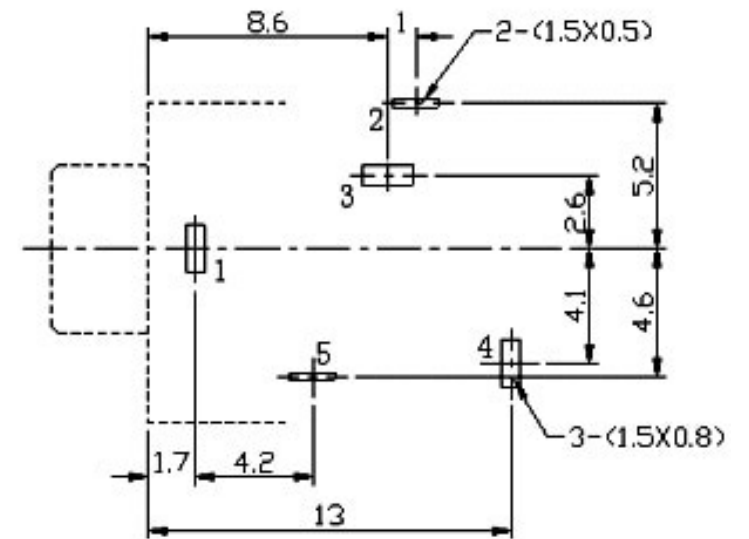


SCHEMATIC

PJ-324	PJ-324-1	PJ-324-2	PJ-324-3

**P.C.B LAYOUT
TOP VIEW**



Dimension in mm ± 0.2 mm