

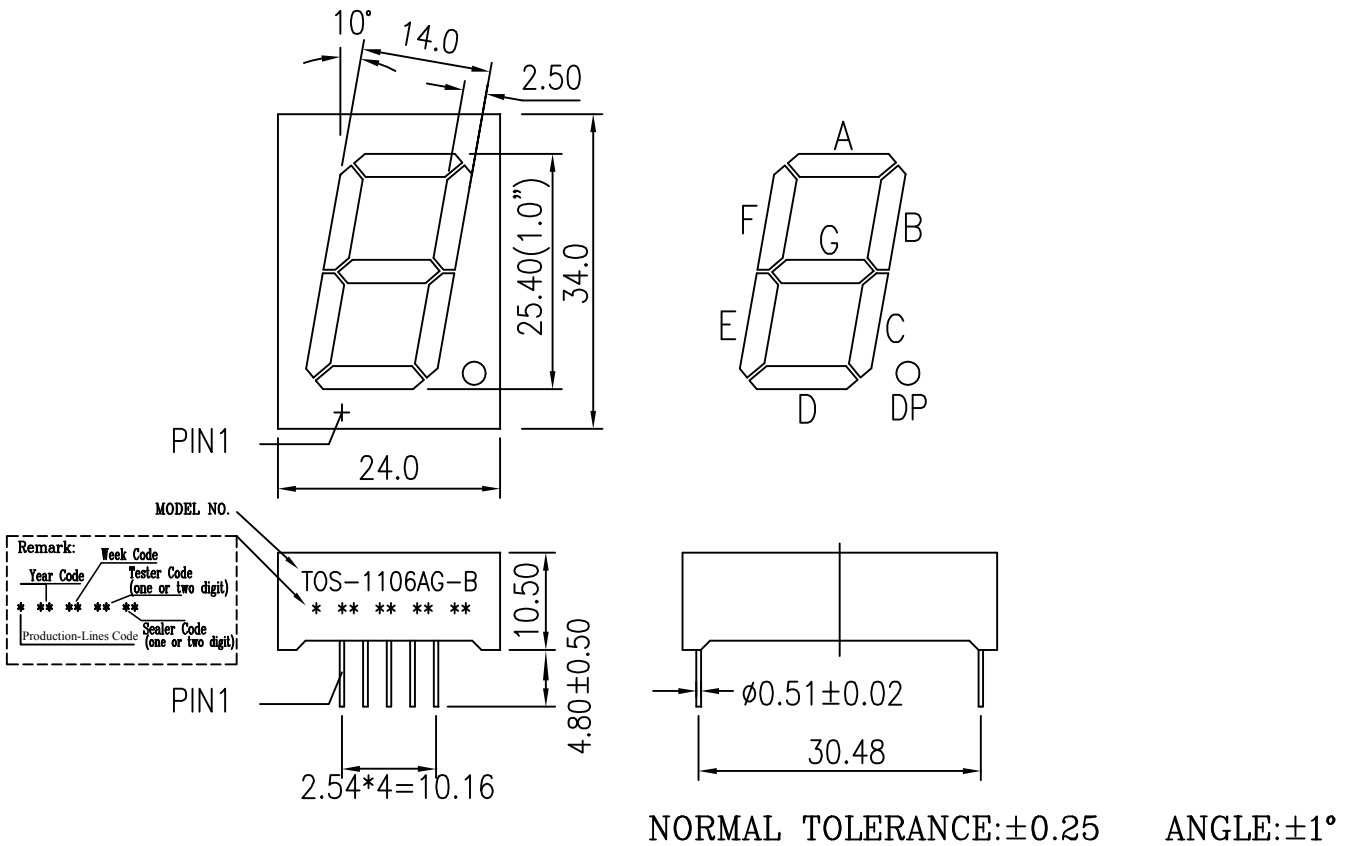


# TAIWAN OASIS LED DATA SHEET

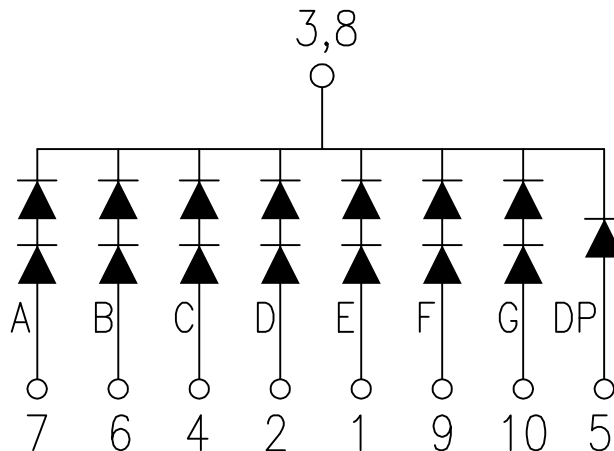
PART NO. : TOS-1106AG-B

|            |         |             |              |                 |
|------------|---------|-------------|--------------|-----------------|
| APPEARANCE |         |             | TECHNOLOGIE  | GaP             |
| FACE       | SEGMENT | PIN         | SOURCE COLOR | Green           |
| Black      | White   | ∅0.51x10.28 | DRIVER MODE  | Com.Cathode     |
|            |         |             | PACKING      | "F" Plastic Box |

## PACKAGE DIMENSIONS



## INTERNAL CIRCUIT DIAGRAM



|      |           |           |     |             |              |          |       |          |  |
|------|-----------|-----------|-----|-------------|--------------|----------|-------|----------|--|
| DATE | 07/10/07' | SCALE     | 2:1 | DRAWING NO. | S-1106AG-B-A | DRAWN    | L.D.Y | CHECKED  |  |
| UNIT | M/M       | SHEET NO. | 1/2 |             |              | CUSTOMER |       | APPROVED |  |



# TAIWAN OASIS LED DATA SHEET

PART NO. : TOS-1106AG-B

ABSOLUTE MAXIMUM RATINGS AT TA=25°C

| PARAMETER  | VALUE            | UNITS |
|--|------------------|-------|
| Power Dissipation Per Segment (except Dp)                                | 120              | mW    |
| Peak Forward Current Per Segment<br>(1/10 Duty Cycle, 0.1ms Pulse Width) | 80               | mA    |
| Continuous Forward Current Per Segment                                   | 20               | mA    |
| Recommend Operating Current  | 15               | mA    |
| Reverse Voltage Per Segment (except Dp)                                  | 10               | V     |
| Operating Temperature Range  | -25 to +85       | °C    |
| Storage Temperature Range  | -30 to +85       | °C    |
| Junction Temperature   | >85              | °C    |
| Lead-Free Solder Temperature(1/16 Inch Below Seating Plane)              | 260°C for 3 sec. |       |

ELECTRICAL/OPTICAL CHARACTERISTICS AT TA=25°C

| PARAMETER                                  | SYMBOL            | MIN. | TYP. | MAX.  | UNITS | TEST CONDITION       |
|--|-------------------|------|------|-------|-------|----------------------|
| Luminous Intensity Per Segment             | I <sub>v</sub>    | 4726 | 9185 |       | μcd   | I <sub>F</sub> =10mA |
| Peak Emission Wavelength                   | λ <sub>p</sub>    |      | 570  |       | nm    | I <sub>F</sub> =20mA |
| Spectral Line Half-Width                   | Δλ                |      | 30   |       | nm    | I <sub>F</sub> =20mA |
| Forward Voltage Per Segment<br>(except Dp) | V <sub>F</sub>    | 3.8  | 4.4  | 5.0   | V     | I <sub>F</sub> =20mA |
| Reverse Current Per Segment                | I <sub>R</sub>    |      |      | 20    | μA    | V <sub>R</sub> =10V  |
| Luminous Intensity Matching Rate           | I <sub>v</sub> -m |      |      | 1.5:1 |       | I <sub>F</sub> =20mA |

|      |           |           |     |             |              |          |       |          |  |
|------|-----------|-----------|-----|-------------|--------------|----------|-------|----------|--|
| DATE | 07/10/07' | SCALE     | ——— | DRAWING NO. | S-1106AG-B-A | DRAWN    | L.D.Y | CHECKED  |  |
| UNIT | ———       | SHEET NO. | 2/2 |             |              | CUSTOMER |       | APPROVED |  |