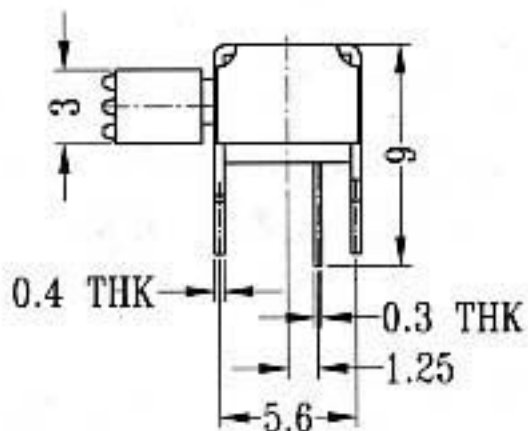
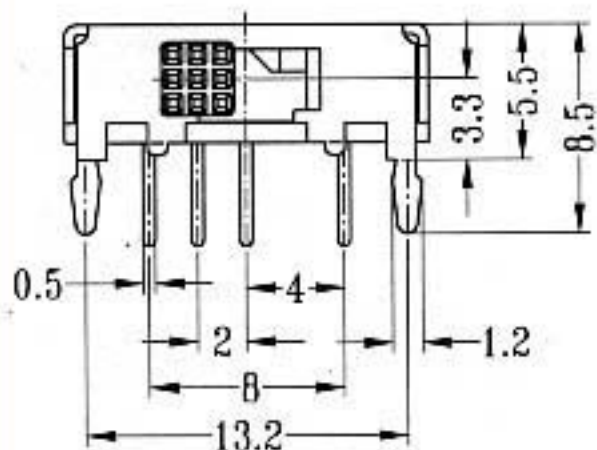
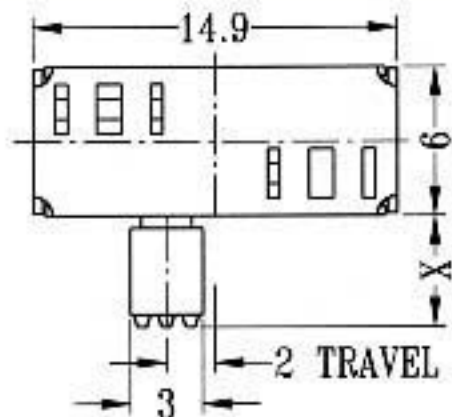


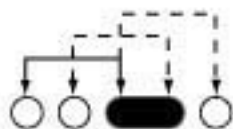
# SK-13D11 (L3R1)

Optional knob type

GE	PG	VA			



## CIRCUIT DIAGRAM



## SPECIFICATIONS

⚡ SHORTING

Rating : 0.3A 50V DC  
Function : 1P3T

