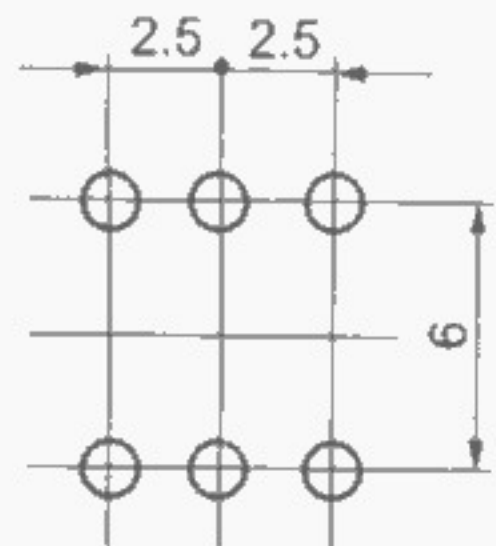
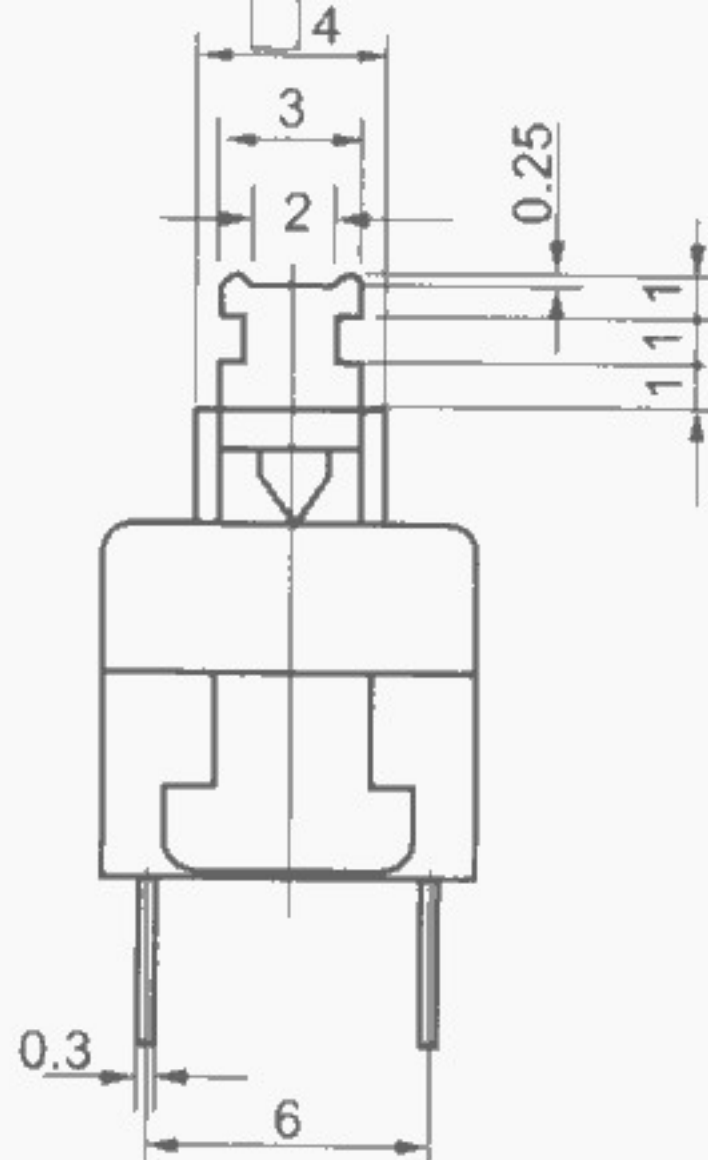
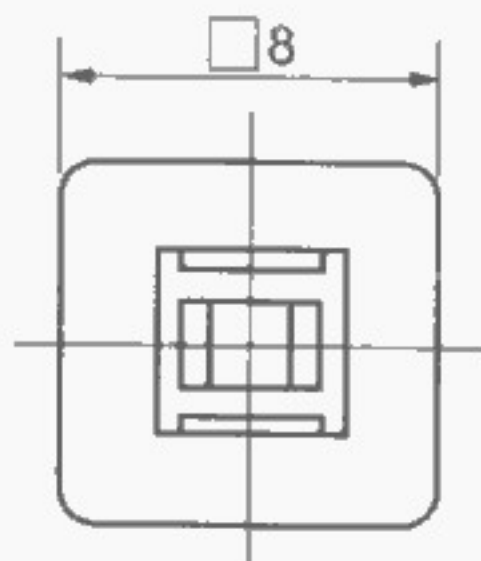


PS-22E08L (SELF-LOCK)
PS-22E08N (NON-LOCK)



PCB LAYOUT



TOTAL TRAVEL 2.5
LOCK TRAVEL 1.5

