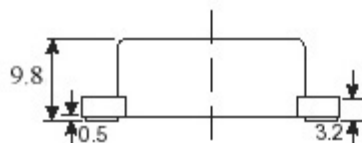
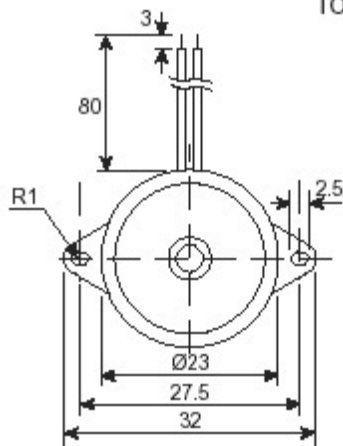


Top View

Side View



Unit : mm

ELECTRICAL SPECIFICATIONS

Model No.

9454120

Operating Voltage	(VDC)	3 ~ 28
Rated Voltage	(VDC)	12
* Max. Rated Current	(mA.)	10
* Min Sound Output (dBA/30cm)		85
* Frequency	(Hz.)	3500 ± 500
Tone Nature		single
Operating Temperature	(°C)	-20 ~ +60
Weight	(gm.)	3.5