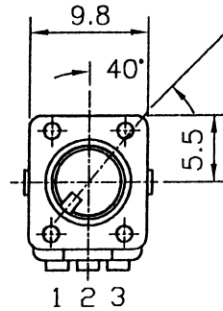
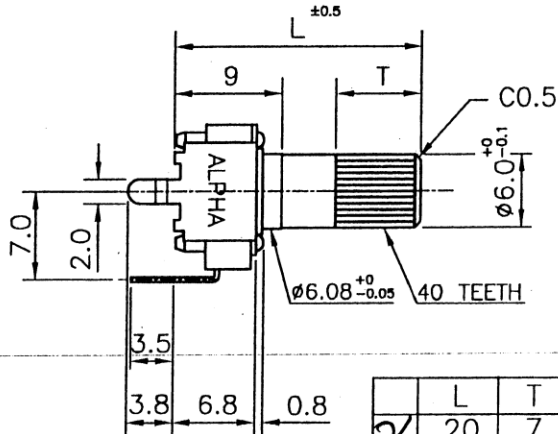
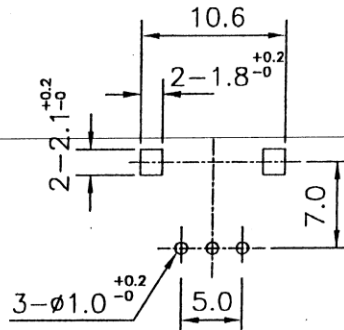


文管中心
2012.06.15
發行章

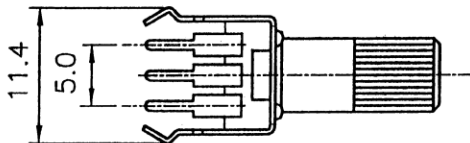
SHAFT SHOWN IN FULL C.C.W. POSITION



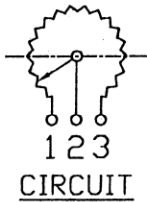
	L	T
✓	20	7
	25	7
	30	7
	175	5.5



P.C.B. MOUNTING HOLE DETAIL



● 280° ROTATION
MONO UNIT



東莞艾華電子有限公司
2012-06-27
收文日

							-<0083>
							-<0042>
							RV09AF-40-(L)K-XXX-(0C)
NO.	DATE	DESCRIPTION			MODEL NAME		
		TOL. UNLESS OTHERWISE STATED	DIMENSION	SCALE	DRAWN BY	CHECKED BY	APPROVED BY
		less tha: 10 ±0.5	mm	2:1	彭 2012.6.8 錫匯		劉 2012.6.8 全紅
		above 10 ~ 30 ±0.5					
		above 30 ~ 100 ±1.0					
		above ±0'					